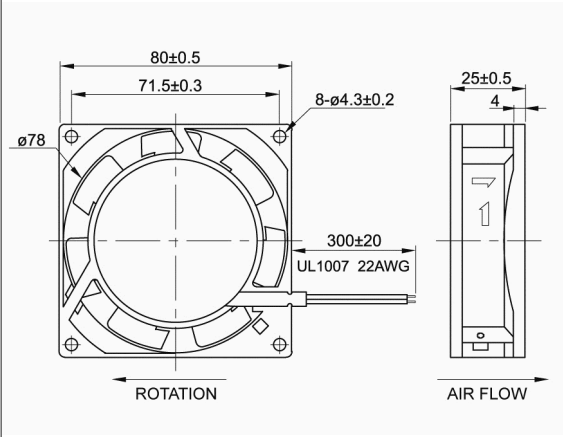
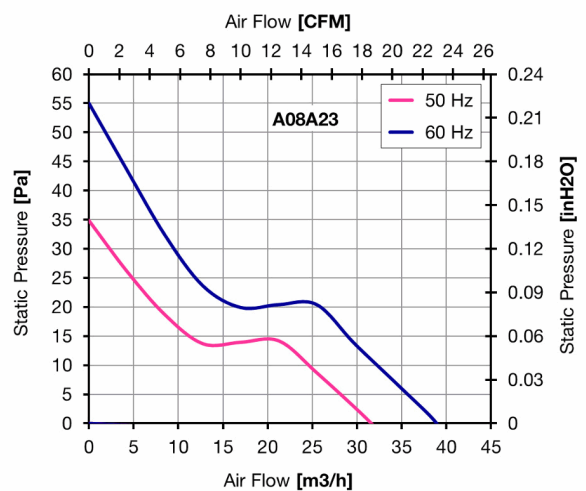
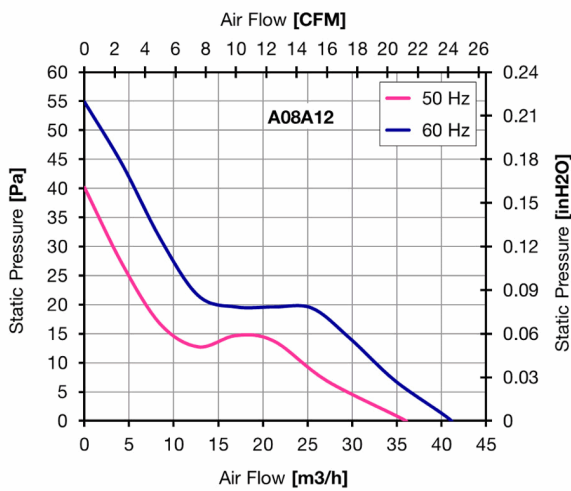


## "A08AF" SERIES COSTECH FANS

Description: **Axial fan a.c. 80x80x25mm**



<b>Casing material:</b>	aluminium die casting alloy ADC-12
<b>Impeller material</b>	black fibreglass reinforced plastic (PBT) UL 94V-0
<b>Protection degree:</b>	IP44, according to EN 60529 standard
<b>Fixing system:</b>	4 holes Ø4.3 mm
<b>Motor protection:</b>	impedance
<b>Storage temperature:</b>	from -40°C to +80°C
<b>Rated temperature range:</b>	from -40°C to +70°C
<b>Lifetime L10 at 40°C:</b>	40,000 h ball bearing 15,000 h sleeve bearing
<b>Electrical connection:</b>	2 leads 22AWG UL 1007, 300 mm long
<b>Weight:</b>	0.26 kg
<b>Approvals:</b>	CE; UL E223195



Model	Bearing	Voltage (V)	Frequency (Hz)	Rated Current (A)	Rated Power (W)	Max Air Flow** (m3/h)	Static Pressure (Pa)	Noise [db(A)]	RPM (rpm)	Approvals
A08A12HWBF00	Ball	115 V a.c.	50/60	0.150/0.120	14/11	36/41	40/55	32.0/35.0	2,600/3,100	CE; cURus
A08A12HWSF00	Sleeve	115 V a.c.	50/60	0.150/0.120	14/11	36/41	40/55	32.0/35.0	2,600/3,100	CE; cURus
A08A23HWBF00	Ball	230 V a.c.	50/60	0.080/0.070	16/14	32/39	35/55	32.0/35.0	2,600/3,100	CE; UR
A08A23HWSF00	Sleeve	230 V a.c.	50/60	0.080/0.070	16/14	32/39	35/55	32.0/35.0	2,600/3,100	CE; UR