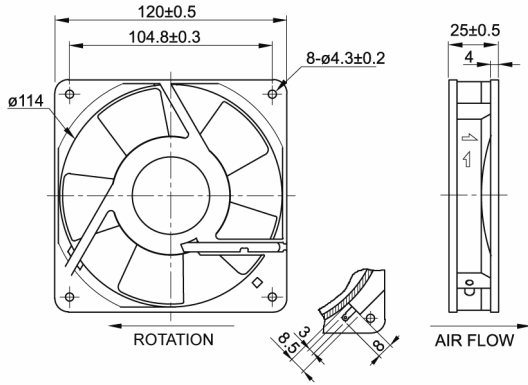
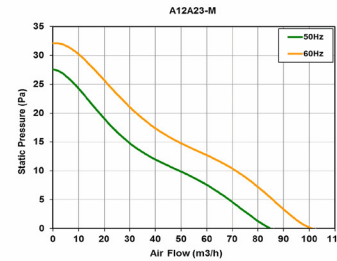
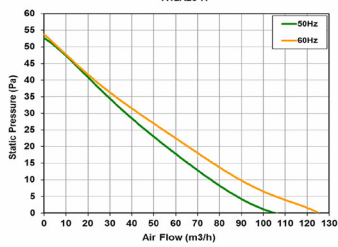
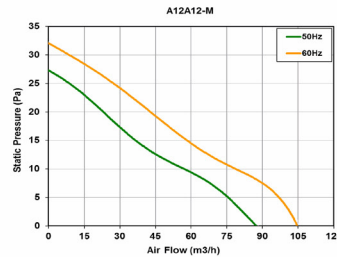
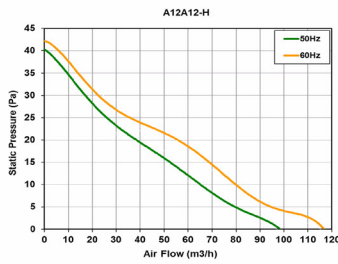


"A12AF" SERIES COSTECH FANS

Description: **Axial fan a.c. 120X120x25mm**



| | |
|---------------------------------|--|
| Casing material: | Black varnished aluminum |
| Impeller material | Black fibreglass reinforced plastic (PBT) UL 94V-0 |
| Protection degree: | IP20 for A12A12MT* and A12A23MT*, IP44 for A12A12HT* and A12A23HT*, according to EN 60529 standard |
| Fixing system: | by No 4 M4 screws |
| Motor protection: | Impedance |
| Storage temperature: | from -40°C to +80°C |
| Rated temperature range: | from -40°C to +70°C |
| Lifetime L10 at 40°C: | over 40,000 h (ball bearing); over 15,000 h (sleeve bearing) |
| Electrical connection: | flat terminals 110 series (2.8x0.5 mm) |
| Approvals: | UL E223195 |
| Weight: | 0.33 kg |



| Model | Bearing | Voltage | Frequency | Rated Current | Rated Power | Max Air Flow | Static Pressure | Noise | RPM | Approvals |
|--------------|---------|------------|-----------|---------------|-------------|--------------|-----------------|-----------|-------------|------------|
| | | (V) | (Hz) | (A) | (W) | (m3/h) | (Pa) | [db(A)] | (rpm) | |
| A12A12HTBF00 | Ball | 115 V a.c. | 50/60 | 0.150/0.120 | 14/11 | 99/117 | 42/40 | 38.0/42.0 | 2,400/2,900 | CE; cURus; |
| A12A12HTSF00 | Sleeve | 115 V a.c. | 50/60 | 0.150/0.120 | 14/11 | 99/117 | 42/40 | 38.0/42.0 | 2,400/2,900 | CE; cURus; |
| A12A12MTBF00 | Ball | 115 V a.c. | 50/60 | 0.150/0.120 | 14/11 | 87/105 | 27/32 | 33.0/35.0 | 2,050/2,500 | CE; cURus; |
| A12A12MTSF00 | Sleeve | 115 V a.c. | 50/60 | 0.150/0.120 | 14/11 | 87/105 | 27/32 | 33.0/35.0 | 2,050/2,500 | CE; cURus; |
| A12A23HTBF00 | Ball | 230 V a.c. | 50/60 | 0.080/0.070 | 16/14 | 109/127 | 52/52 | 38.0/42.0 | 2,400/2,900 | CE; UR; |
| A12A23HTSF00 | Sleeve | 230 V a.c. | 50/60 | 0.080/0.070 | 16/14 | 109/127 | 52/52 | 38.0/42.0 | 2,400/2,900 | CE; UR; |
| A12A23MTBF00 | Ball | 230 V a.c. | 50/60 | 0.070/0.060 | 16/14 | 87/102 | 27/32 | 34.0/36.0 | 2,000/2,400 | CE; UR; |
| A12A23MTSF00 | Sleeve | 230 V a.c. | 50/60 | 0.070/0.060 | 16/14 | 87/102 | 27/32 | 34.0/36.0 | 2,000/2,400 | CE; UR; |

All specifications, data and drawing are subject to change without notice and are approximate. Please refer to our terms of sales including our warranty and limited liabilities clauses.