

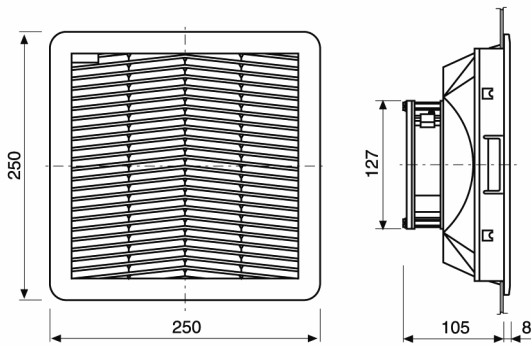
"FPF15KM" SERIES FAN FILTERS

Description: **Fan Filter 115/230 Va.c.**

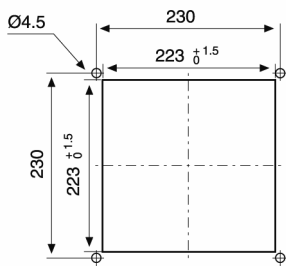


Type of material:	ABS/PC alloy
Standard color:	RAL 7032, RAL 7035 and RAL 9005 - other colors on request
Protection degree:	IP54, according to EN 60529 Std Type 12, according to UL 508 Std
Fixing system:	by elastic hooks, otherwise by four 4.8 mm self-threading screws
Plate thickness:	from 1.5 mm to 2.2 mm
Storage temperature:	from -40°C to +70°C
Motor Lifetime L10 at 40°C:	45,000 h
Motor protection:	impedance
Electrical connection:	by terminal block 3 poles L-N-PE, 2.5 mm ² (12 AWG)
Earth connection:	by PE pole
Appliance class:	Class I
Type of filter media:	thermo-linked progressive structure synthetic fibre
Filtering class:	class G3, according to EN 779
Degree of separation:	85% - DIN 24185
Dust retention capacity:	600 g/m ²
Note:	filter media is washable for about 10 times
Weight:	1.4 Kg
Approvals:	CE, UL E237844

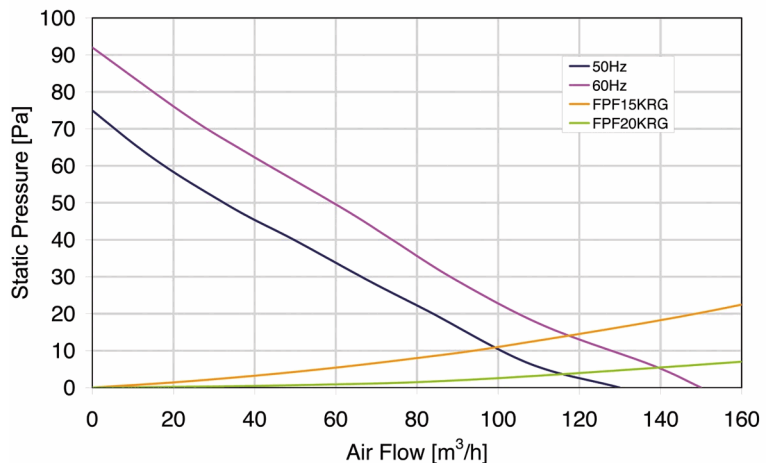
technical drawing



mounting cut-out



IP 54



Model	Voltage	Frequency	Rated Current	Rated Power	Max Air Flow**	Static Pressure	Fan Noise	Rated Temp. Range	Approvals
	(V)	(Hz)	(A)	(W)	(m3/h)	(Pa)	[db(A)]	(°C)	
FPF15KM*115BE-110	115 V a.c.	50/60	0.200/0.160	14/12	130/150	75/92	46.0/50.0	-10 ÷ +50	CE; cURus
FPF15KMR115BER-110	115 V a.c.	50/60	0.200/0.160	14/12	130/150	75/92	46.0/50.0	-10 ÷ +50	CE; cURus
FPF15KM*230BE-110	230 V a.c.	50/60	0.100/0.090	23/21	130/150	75/92	46.0/50.0	-10 ÷ +50	CE; cURus
FPF15KM*230BER-110	230 V a.c.	50/60	0.100/0.090	23/21	130/150	75/92	46.0/50.0	-10 ÷ +50	CE; cURus

* U = RAL 7035 R = RAL 7032 N = RAL 9005 **data with uncertainty of 15%