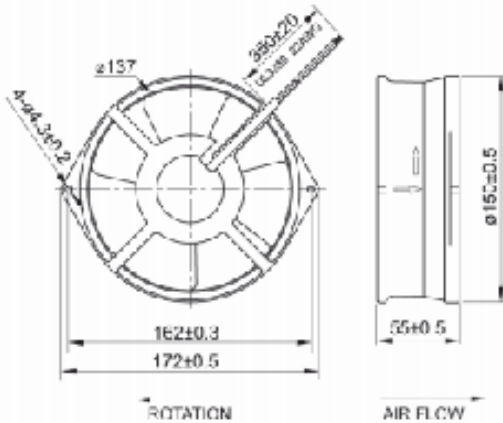


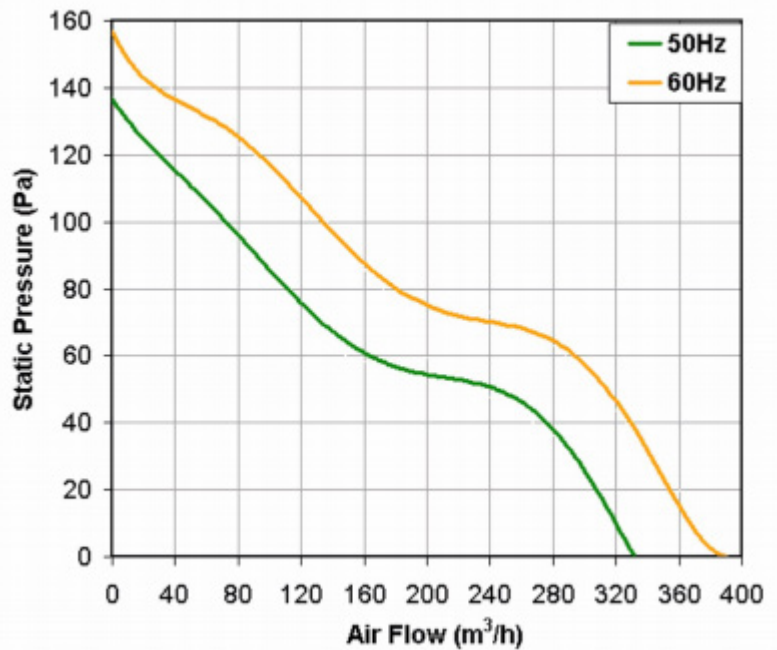
AC Axial Compact Fan Technical Information

A17MMT SERIES AXIAL COMPACT FANS

Description: Axial fan a.c. 172X150x55mm



Casing material:	Black varnished aluminum
Impeller material	Metal
Protection degree:	IP20, according to EN 60529 standard
Fixing system:	by No 2 M4 screws
Insulation class:	F
Motor protection:	thermal
Storage temperature:	from -40°C to +90°C
Rated temperature range:	from -40°C to +90°C
Lifetime L10 at 40°C:	40,000 h
Electrical connection:	2 leads 22AWG UL 3239, 350 mm long
Approvals:	UL E223195
Weight:	1.1 kg



Model	Bearing	Voltage (V)	Frequency (Hz)	Rated Current (A)	Rated Power (W)	Max Air Flow** (m ³ /h)	Static Pressure (Pa)	Noise [db(A)]	RPM (rpm)	Approvals
A17M23SWBMT0	Ball	230 V a.c.	50/60	0.250/0.230	42/42	332/391	137/157	49.0/53.0	2,800/3,250	CE; cURus