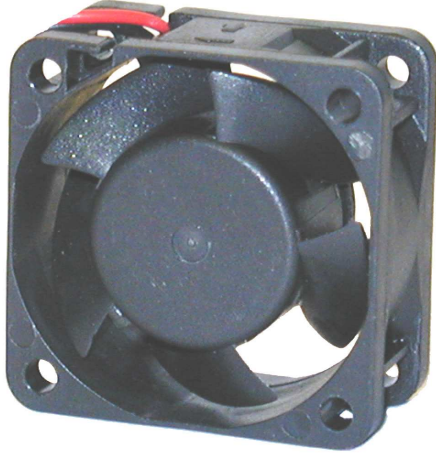


D04D SERIES

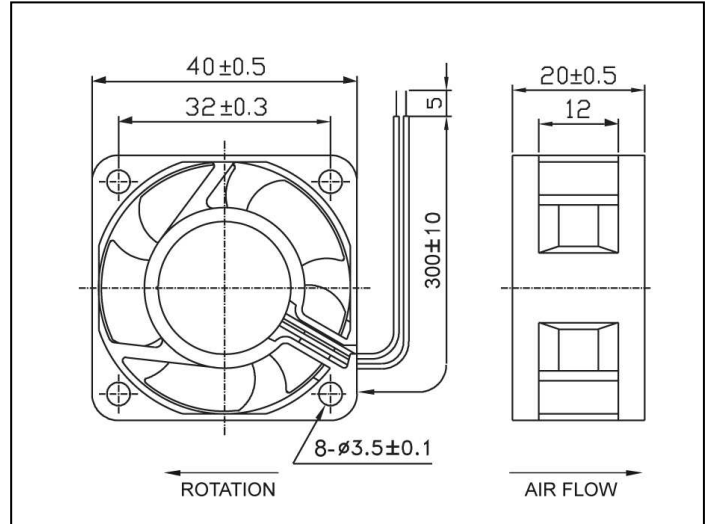


FEATURES

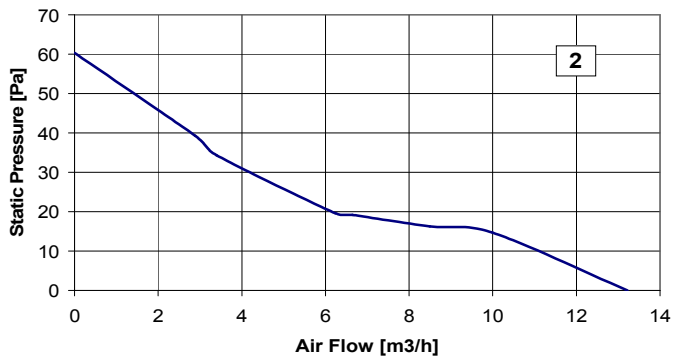
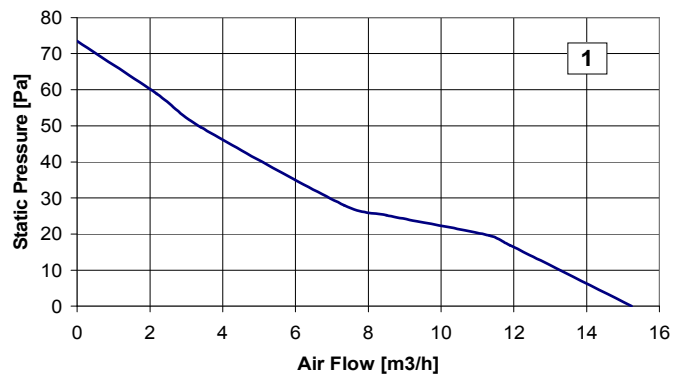
- Glass fibre reinforced plastic (PBT) fan casing and impeller.
- Brushless dc motor. impedance protected against running overload.
- Electrical connection via 2 leads UL1007 AWG26, 300mm length.
- Rated temperature range:
from -20°C to +70°C
- Service life L10:
70,000 hours at 40°C
40,000 hours at t max
- Weight 28g.

Please refer to our terms of sales including our warranty and limited liabilities clauses.

DRAWING



AIR FLOW CURVES



Model	Diagram	Rated Voltage [V]	Input Power [W]	Speed [rpm]	Air Flow [m3/h]	Static Pressure [Pa]	Noise [dB(A)]	Approvals		
								UL	CUL	TUV
D04D04HWBZ00	1	12	1.2	7,800	15	74	31.9	√	√	
D04D04MWBZ00	2	12	0.95	6,900	13	60	28.5	√	√	
D04D05HWBZ00	1	24	1.7	7,800	15	74	31.9	√	√	
D04D05MWBZ00	2	24	1.4	6,900	13	60	28.5	√	√	