

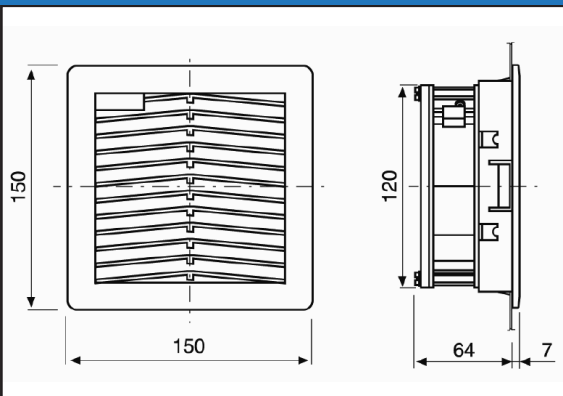
“FPF12K” SERIES FAN FILTERS

Description: Fan Filter 24/115/230 Va.c.

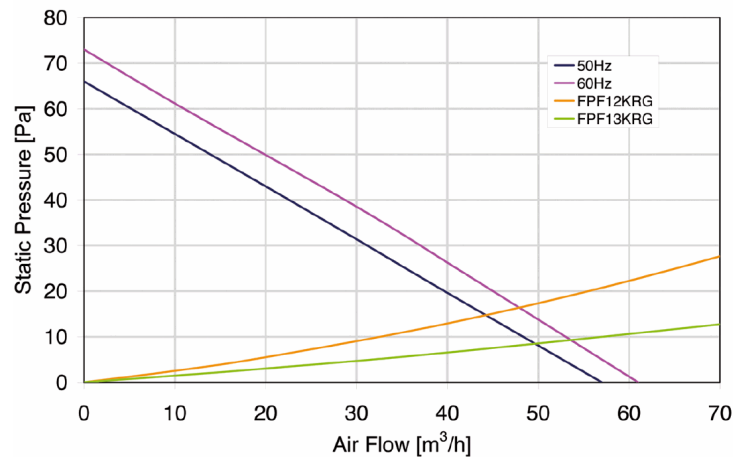
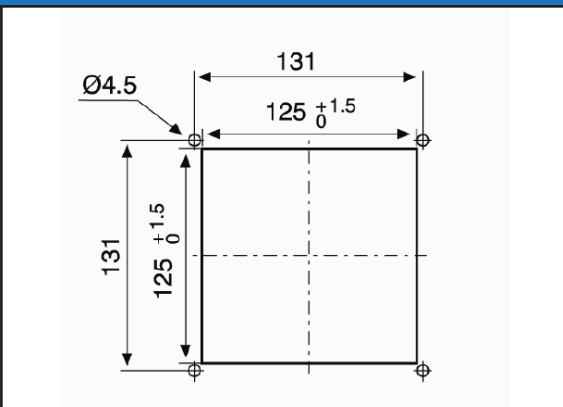


Type of material:	ABS/PC alloy
Standard color:	RAL 7032, RAL 7035 and RAL 9005 - other colors on request
Protection degree:	IP54, according to EN 60529 Std; Type 12, according to UL 508 Std
Fixing system:	by elastic hooks, otherwise by four 4.8 mm self-threading screws
Plate thickness:	from 1.5 mm to 2.2 mm
Storage temperature:	from -40°C to +70°C
Motor Lifetime L10 at 40°C (approx.):	45,000 h
Motor protection:	impedance
Electrical connection:	by terminal block 2 poles L-N
Earth connection:	(by M4 thread hole on fan's casing)
Appliance class:	class III for 24V, class I for other voltage
Type of filter media:	thermo-linked progressive structure synthetic fibre
Filtering class:	class G3, according to EN 779
Degree of separation:	85% - DIN 24185
Dust retention capacity:	600 g/m ²
Note:	filter media is washable for about 10 times
Weight:	0.8Kg
Approvals:	CE, UL E237844

Technical drawing



Mounting cut-out



All specifications, data and drawings are subject to change without notice and are approximate. Please refer to our terms of sales including our warranty and limited liabilities clauses.

Model	Voltage	Frequency	Rated Current	Rated Power	Max Air Flow**	Static Pressure	Fan Noise	Rated Temp. Range	Approvals
	(V)	(Hz)	(A)	(W)	(m3/h)	(Pa)	[db(A)]	(°C)	
FPF12K*115BE-110	115 V a.c.	50/60	0.210/0.180	20/18	57/61	66/73	46.0/49.0	-10 + +50	CE; cURus
FPF12K*115BER-110	115 V a.c.	50/60	0.210/0.180	20/18	57/61	66/73	46.0/49.0	-10 + +50	CE; cURus
FPF12K*230BE-110	230 V a.c.	50/60	0.125/0.110	20/19	57/61	66/73	46.0/49.0	-10 + +50	CE; cURus
FPF12K*230BER-110	230 V a.c.	50/60	0.125/0.110	20/19	57/61	66/73	46.0/49.0	-10 + +50	CE; cURus
FPF12K*24BER-110	24 V a.c.	50/60	0.810/0.850	15/16	57/61	66/73	46.0/49.0	-10 + +50	CE
FPF12KR24BE-110	24 V a.c.	50/60	0.810/0.850	15/16	57/61	66/73	46.0/49.0	-10 + +50	CE

* U = RAL 7035 R = RAL 7032 N = RAL 9005 **data with uncertainty of 15%

All specifications, data and drawings are subject to change without notice and are approximate. Please refer to our terms of sales including our warranty and limited liabilities clauses.