



Axial fans provide forced-air cooling solution to temperature-sensitive applications. Compact fans with AC shaded pole or capacitor and DC brushless motor are designed for ventilation and spot cooling of internal machinery components, especially in areas in confined spaces. Available also versions tested to withstand harsh environmental conditions (IP55, IP68, all metal and HTR fans).

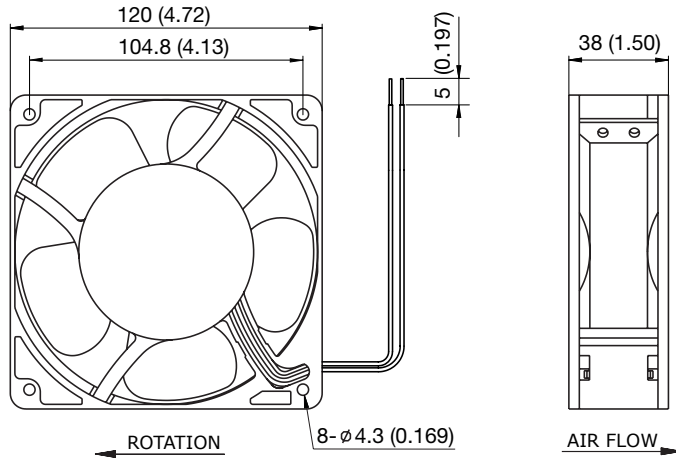
Technical data		
<b>APPROVALS</b>		
Approvals	CE; UR	
<b>PERFORMANCE</b>		
Max Airflow	179	m <sup>3</sup> /h
	105	CFM
Max Static Pressure	66	Pa
	0.26	in H <sub>2</sub> O
RPM	2800	RPM
<b>ELECTRICAL DATA</b>		
Rated Voltage	48	V d.c.
Rated Current	0.2	A
Rated Power	9.6	W
Operating Voltage	43.2-52.8	V d.c.
Starting Voltage	24	V d.c.
Insulation Class	A	
Motor Protection	Electronically Protected	
<b>MECHANICAL DATA</b>		
Bearing	Ball Bearing	
<b>GENERIC DATA</b>		
Casing Material	Plastic UL94-V0	
Airflow Direction	Air intake over brackets	
Electrical Connection	Wires	

D12B07HWBA00

DC axial fans

Technical data		
Life Expectancy	70000 70000	h at 40 °C h at 104 °F
Fan Noise	46.7	dB(A)
Cable Length	280 11.02	mm in
Fixing System	Screws	
ENVIRONMENTAL AND THERMAL DATA		
IP Protection Degree	IP20	
Operating Temperature	-10÷70 14÷158	°C °F
Storage Temperature	-40÷70 -40÷158	°C °F
UL DATA		
UL File Number Recognized Component	E223195	

Technical drawing mm (in)



Air Performance

