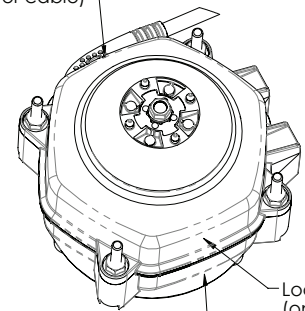


Location of Batch Code Label (on DE housing surface above power cable)



Location of Atex Label (on DE housing surface)

Location of Product Label (on NDE housing surface)

MOTOR RATING

| PRODUCT CODE | Max Output Watts @ Corresponding rpm | Supply voltage, Frequency | DOR, Mode of Operation |
|--------------|--------------------------------------|---------------------------|---|
| ECR2-0511 | 13 Watts @ 1800 rpm | 100-240Vac, 50-60Hz | CCW-DE Continuous, Speed Control 1300 rpm |

Ex II 3 G, Ex nA IIA T4
T_{amb} -30°C to +60°C
US/UL/ExTR15.0133/00
 Do not open when energised

Atex Label

Wellington®
ECR2-0511
 INPUT: 100-240Vac, 50-60Hz, 0.19-0.10A
 OUTPUT : 13W@1800rpm
 EP -30° to +50°C, DOR:CCW-DE
 Speed control 1300rpm

VDE IP67 **CE**
 -30° to +60°C Made in Vietnam

Product Label

- Note:
- Motor rating Refer to table.
 - Refer operating instructions for installation details.
 - Accessories to be supplied along with the motor in a bag per pallet basis
- Flanged Hex Full nut with serrations for grill mounting, Qty 4 per motor

| ZONE | ISSUE | ECN | DESCRIPTION | DATE | DRAWN | CHECKED |
|-----------|-------|---------|---|------------|-------|---------|
| B-5.7 | 3 | WCP3510 | Updated drive flange design | 24/09/2019 | ASo | MTI |
| F-1 & A-5 | 2 | WCP2314 | Dim 34.5 +/-2 was 35.4 +/-2 and Note updated to have only flanged hex hd screw with serrations as accessories | 07/06/2016 | RDI | ASo |
| N/A | 1 | NA | Initial Issue | 11/03/2016 | RDI | ASo |

DO NOT SCALE OFF DRAWING

Wellington®
 www.wdtl.com

The information contained in this drawing is confidential. Reproduction of this document in any form is subject to explicit written permission. © COPYRIGHT 2004 - 2009 Wellington Drive Technologies Ltd

Orthographic Projection

Third Angle

STATUS P

Scale: NTS **Dimension Units:** mm **Sheet size:** A3

Product Code: Refer to table above

GENERAL TOLERANCE: LINEAR ±1 ANGLAR ±3° **DWG No.:** WD7833A **Sheet** 1 of 1