



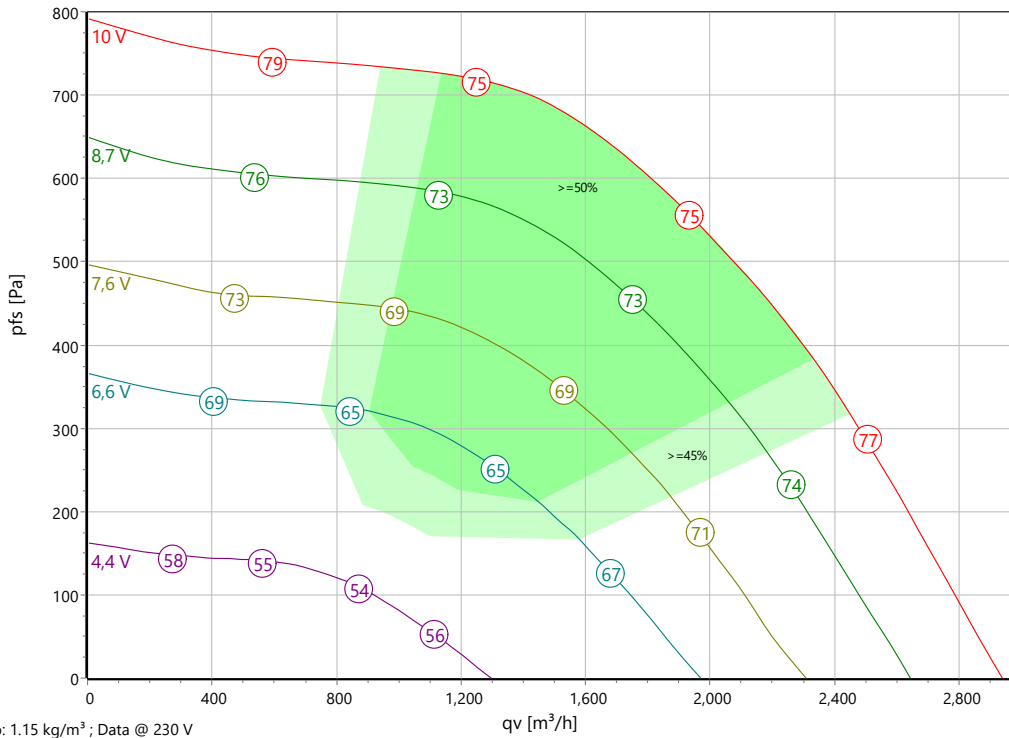
Type: **GKHM 280-CIE.065.4EA IE**

Module

Part no.: N43-28001



Curve:



p: 1.15 kg/m³ ; Data @ 230 V

ErP-Data:

(EU) Nr. 327/2011 (Lot11)		
q _v	1724	m³/h
p _{fs}	627	Pa
η _{fs}	63.6	%
P _{ed}	0.525	kW
n	3196	r/min
N	77	N
v	8.372	m/s

Nominal Data:

U [V]	f [Hz]	Data @ [V]	P _{ed} [kW]	I _N [A]	n _N [r/min]	t _R [°C]	k ₁₀ [m²/s/h]	Eff.-Rating	IP	m [kg]
1~200-277	50/60	230	0.53	2.35	3200	-25 .. +40	67	IE4	IP 54	-

Sound Data:

Frequency	Σ	63Hz	125Hz	250Hz	500Hz	1kHz	2kHz	4kHz	8kHz	Distances	1 m	4 m
LwA(A,in) [dB(A)]		-27	-25	-13	-5	-4	-8	-13	-17	LpA(A,in) [dB(A)]	-7	-17
LwA(A,out) [dB(A)]	4	-31	-24	-11	-5	-6	-6	-11	-17	LpA(A,out) [dB(A)]	-3	-13

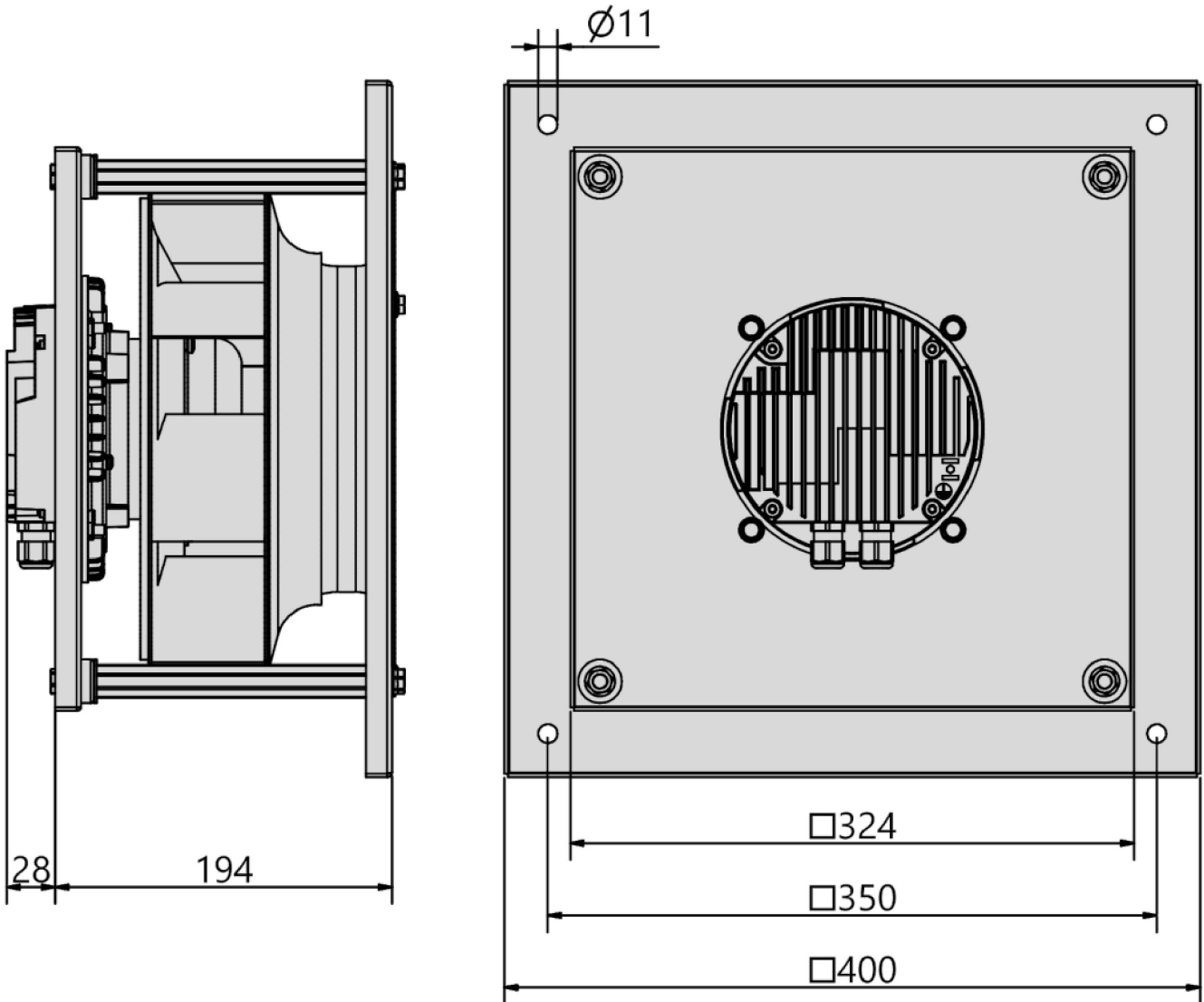
Attention: Start-up times up to ~ 20 - 60 sec. depending on motor-impeller combination, motor load and number of operation.
Please note during project planning (e.g. for condenser units in refrigeration circuits!)



Type: **GKHM 280-CIE.065.4EA IE**

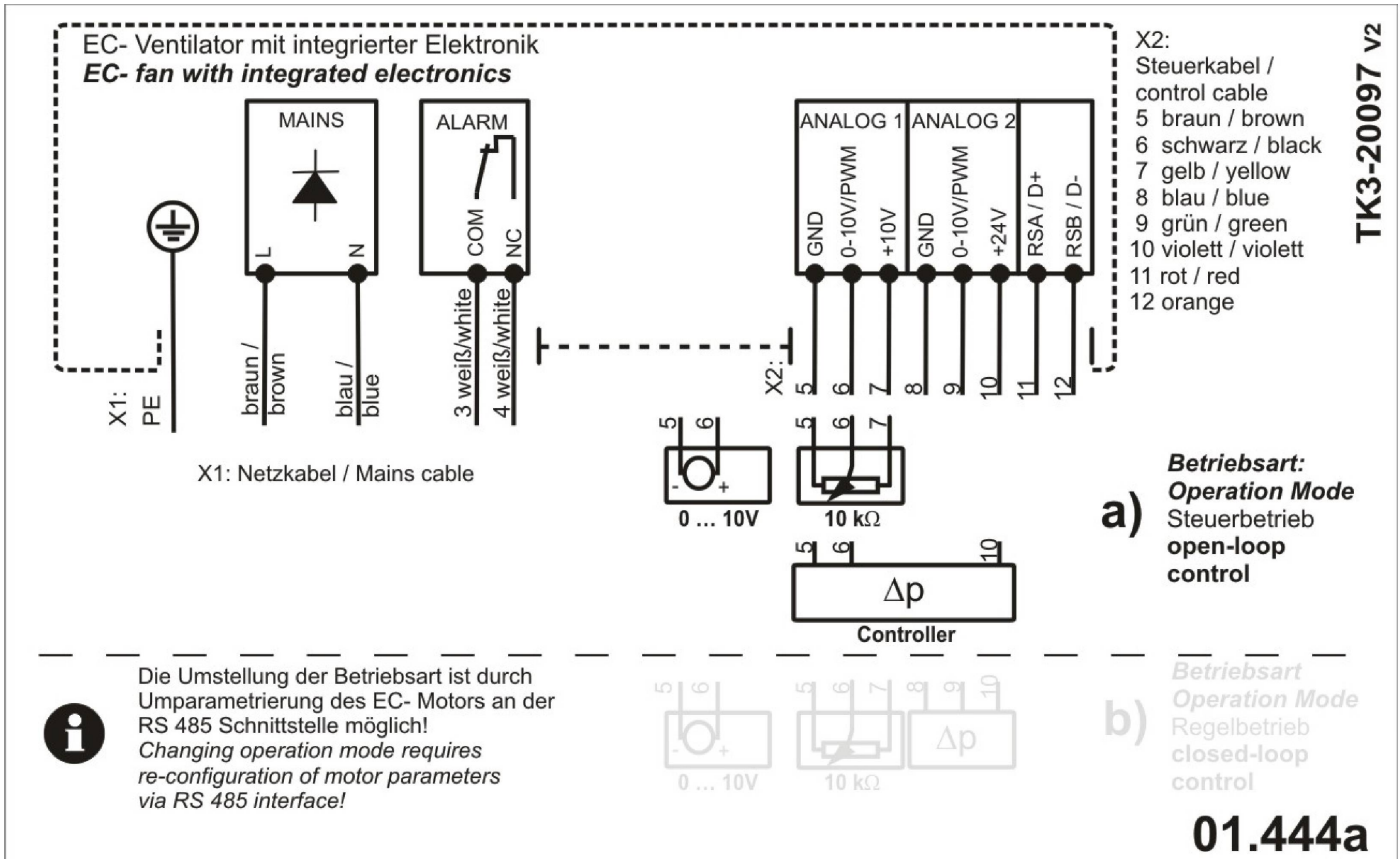
Module

Part no.: N43-28001





Type: **GKHM 280-CIE.065.4EA IE**
 Module
 Part no.: N43-28001





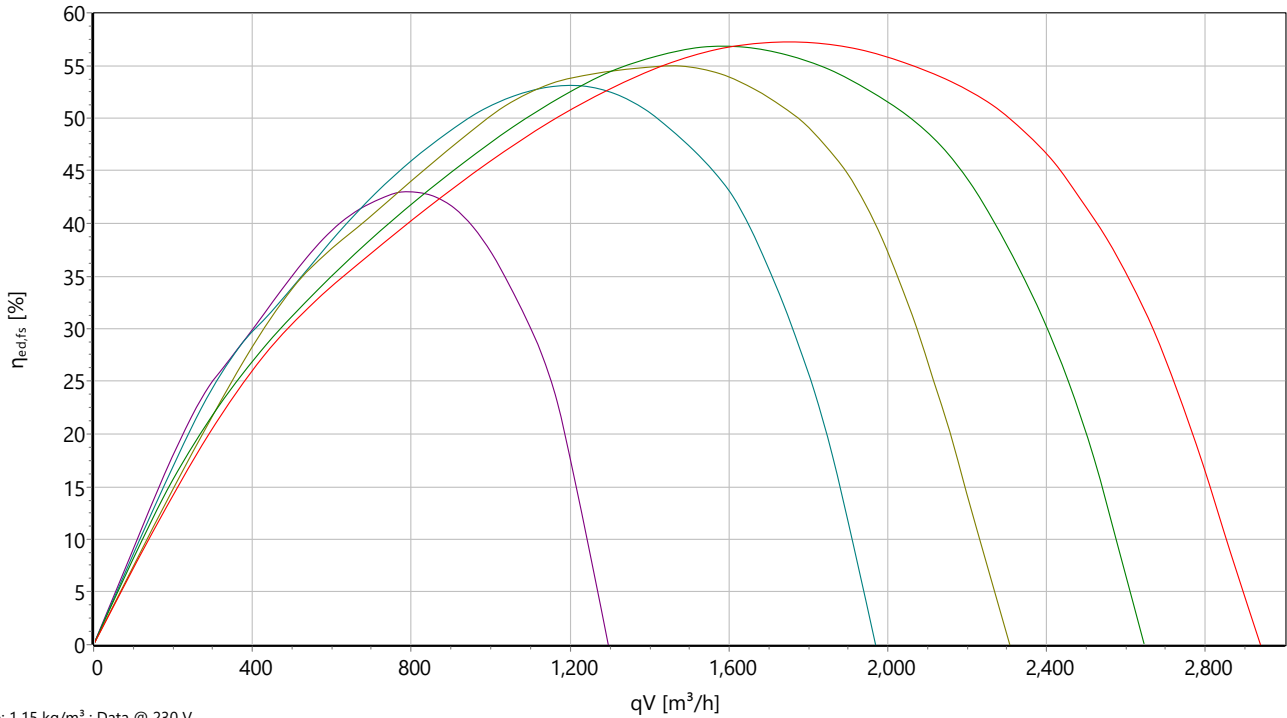
Type: **GKHM 280-CIE.065.4EA IE**

Module

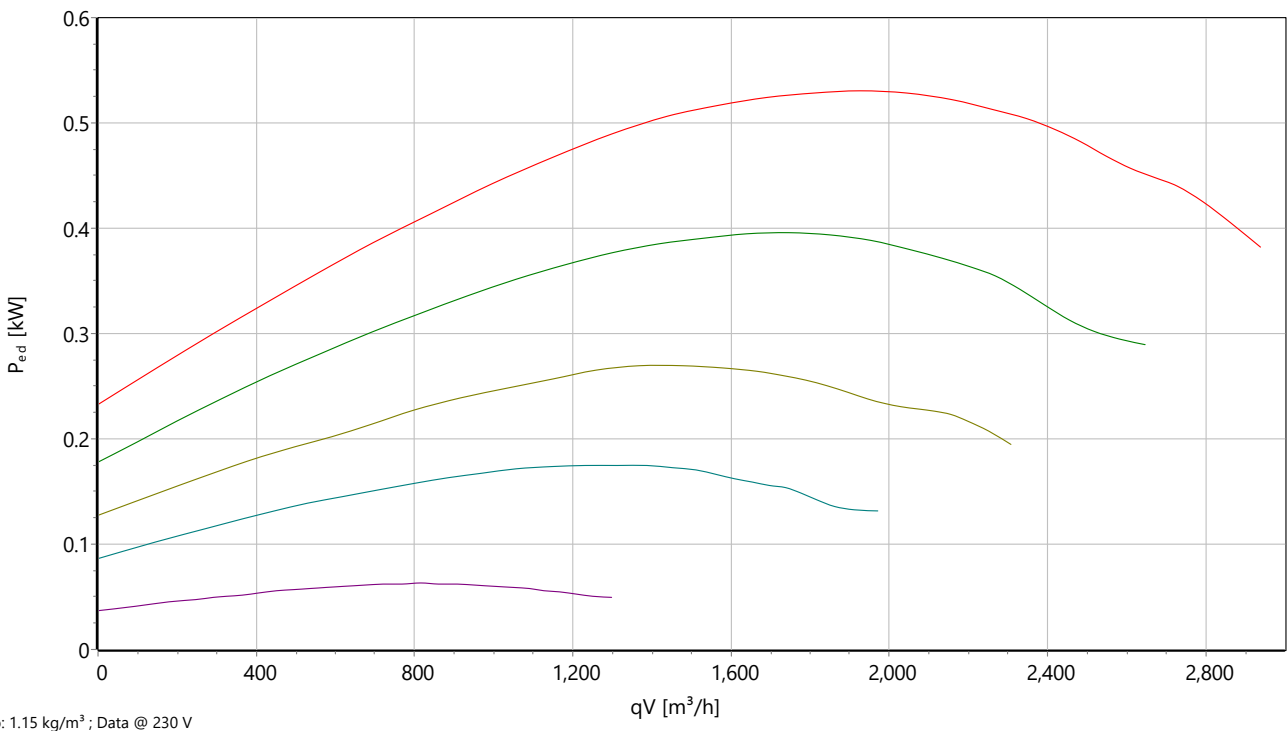
Part no.: N43-28001



stat. Efficiency



Input power





Type: **GKHM 280-CIE.065.4EA IE**
 Module
 Part no.: N43-28001



Sound power

