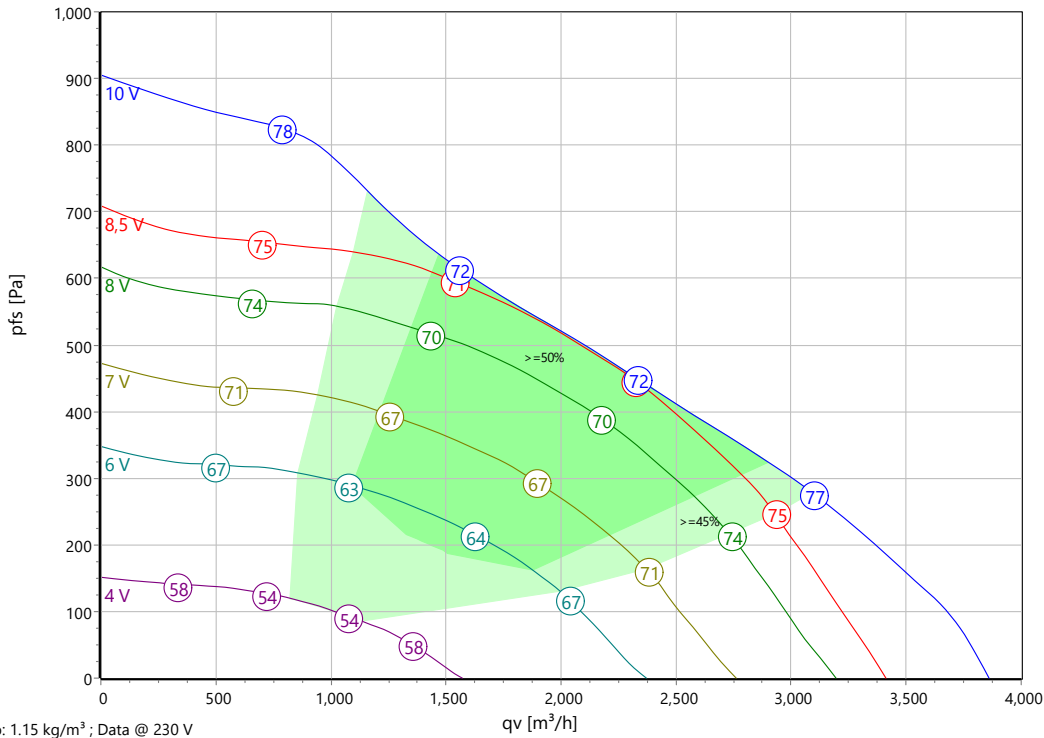




Type: **GKHM 315-CIE.088.4EA HP**
Module
Part no.: N43-31508



Curve:



p: 1.15 kg/m³ ; Data @ 230 V

ErP-Data:

(EU) Nr. 327/2011 (Lot11)		
q _v	2017	m³/h
p _{fs}	517	Pa
η _{fs}	60.8	%
P _{ed}	0.529	kW
n	2265	r/min
N	74	N
v	6.012	m/s

Nominal Data:

U [V]	f [Hz]	Data @ [V]	P _{ed} [kW]	I _N [A]	n _N [r/min]	t _R [°C]	k ₁₀ [m²/s/h]	Eff.-Rating	IP	m [kg]
1~200-277	50/60	230	0.53	2.35	2300	-25 .. +40	85	IE4	IP 54	13

Sound Data:

Frequency	Σ	63Hz	125Hz	250Hz	500Hz	1kHz	2kHz	4kHz	8kHz	Distances	1 m	4 m
LwA(A,in) [dB(A)]		-28	-13	-7	-5	-7	-8	-13	-14	LpA(A,in) [dB(A)]	-7	-17
LwA(A,out) [dB(A)]	4	-31	-15	-8	-6	-5	-7	-14	-21	LpA(A,out) [dB(A)]	-3	-13

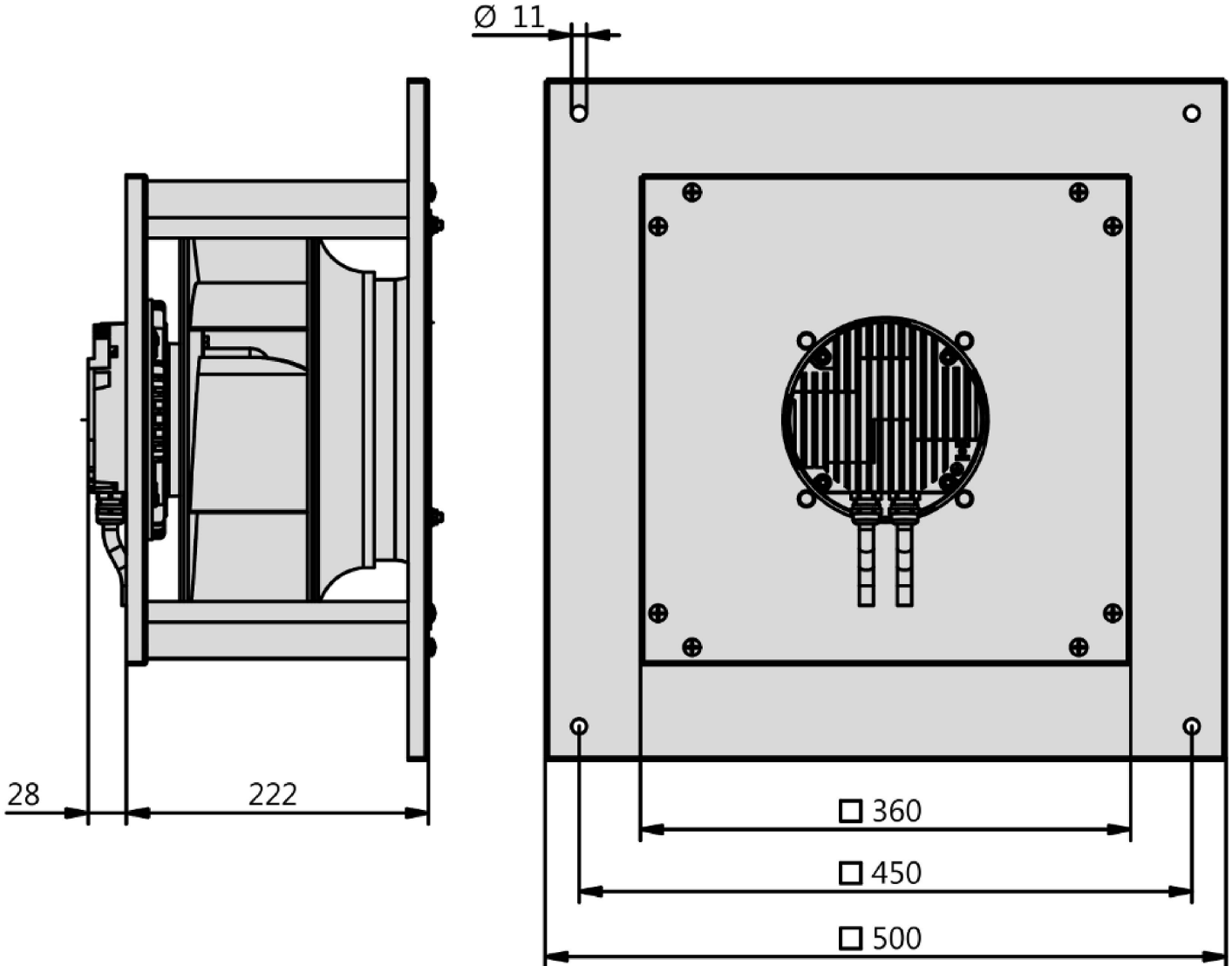
Attention: Start-up times up to ~ 20 - 60 sec. depending on motor-impeller combination, motor load and number of operation.
Please note during project planning (e.g. for condenser units in refrigeration circuits)!



Type: **GKHM 315-CIE.088.4EA HP**

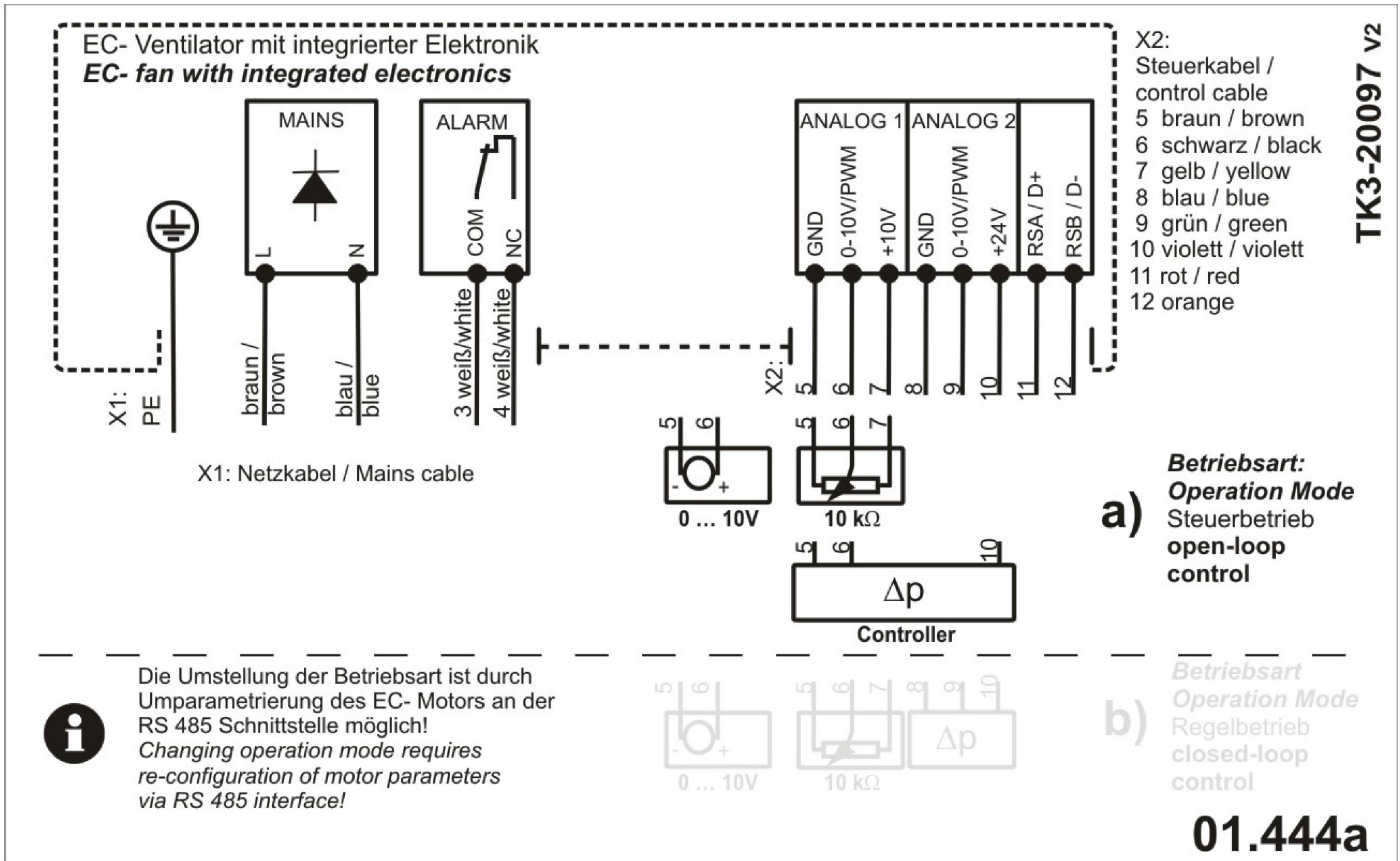
Module

Part no.: N43-31508





Type: **GKHM 315-CIE.088.4EA HP**
 Module
 Part no.: N43-31508





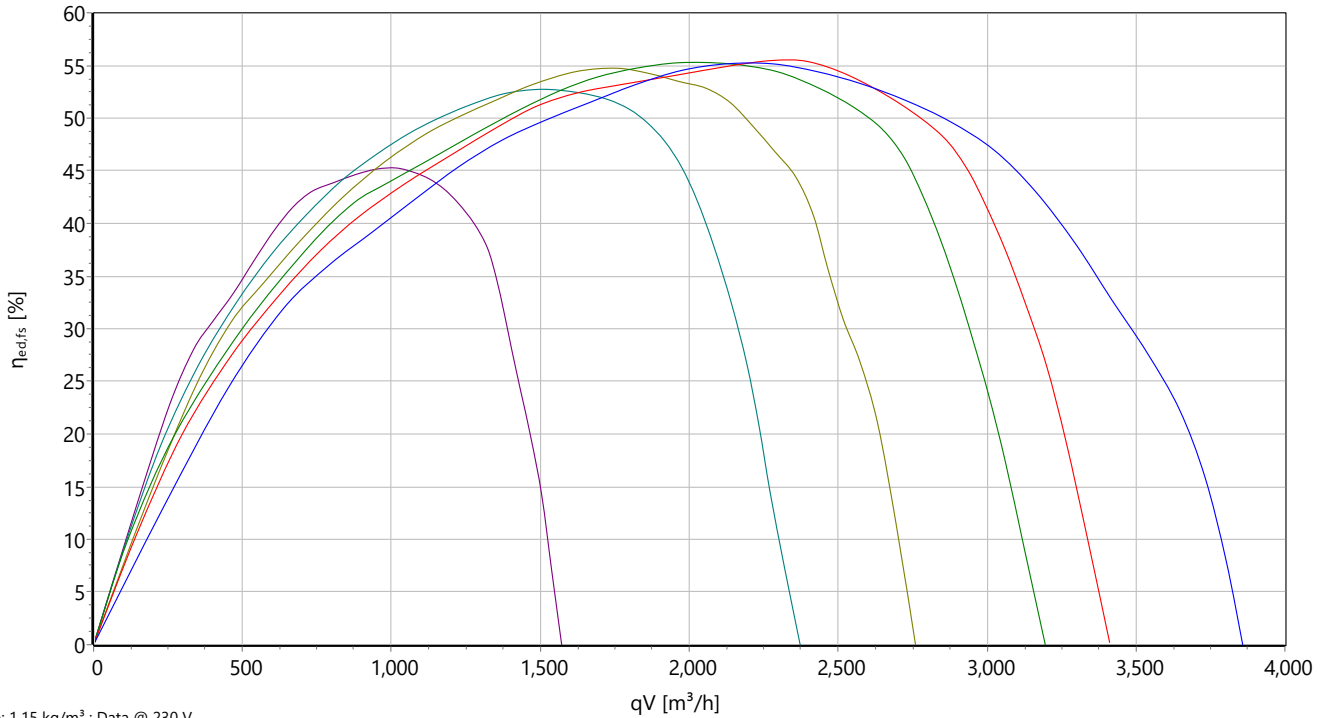
Type: **GKHM 315-CIE.088.4EA HP**

Module

Part no.: N43-31508

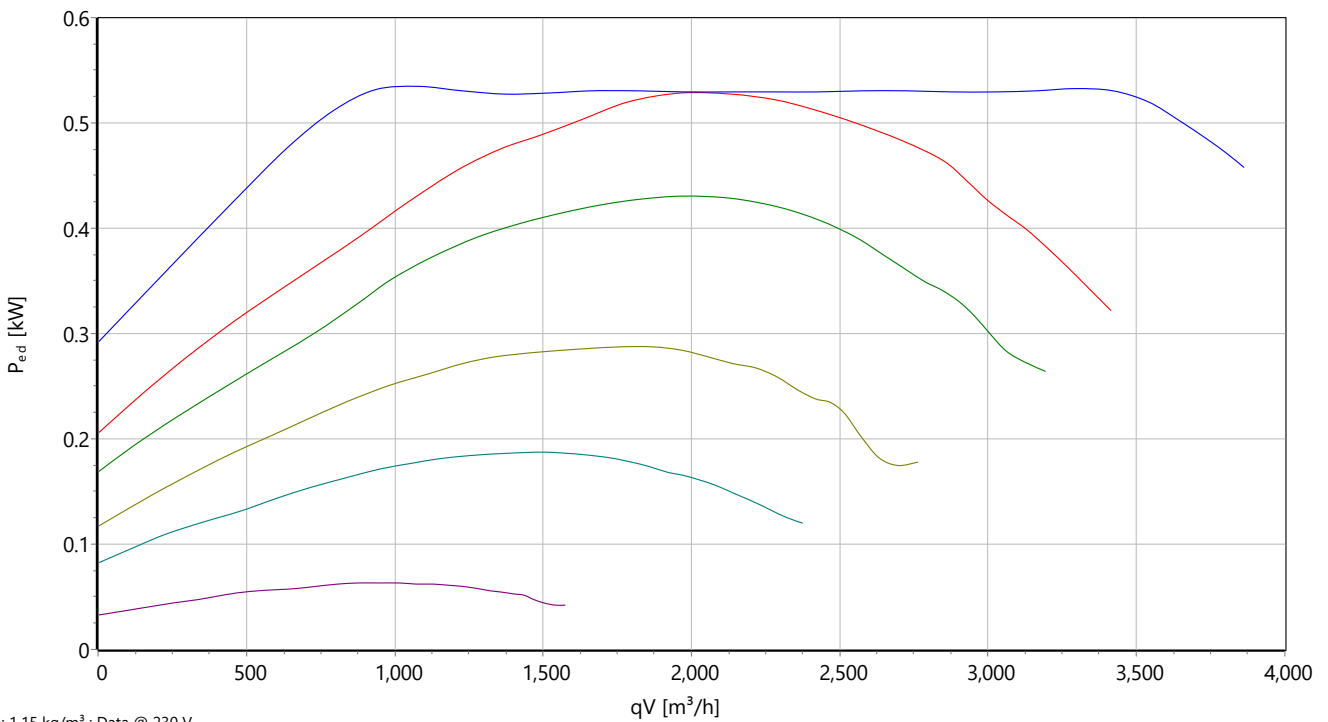


stat. Efficiency



$\rho: 1.15 \text{ kg/m}^3$; Data @ 230 V

Input power



$\rho: 1.15 \text{ kg/m}^3$; Data @ 230 V



Type: **GKHM 315-CIE.088.4EA HP**
 Module
 Part no.: N43-31508



Sound power

