



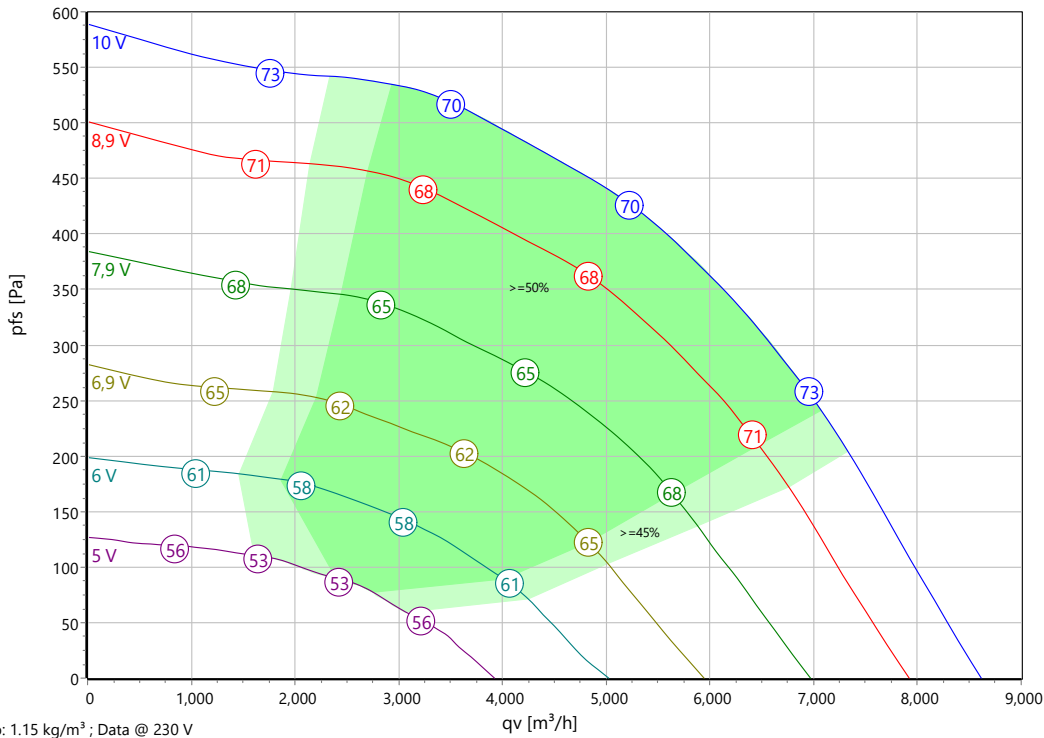
Type: **GKHM 500-CIE.154.5HF IE**

Module

Part no.: N43-50014



Curve:



p: 1.15 kg/m³ ; Data @ 230 V

ErP-Data:

(EU) Nr. 327/2011 (Lot11)		
q _v	5117	m³/h
p _{fs}	434	Pa
η _{fs}	61.7	%
P _{ed}	1.09	kW
n	1300	r/min
N	72	N
v	5.509	m/s

Nominal Data:

U [V]	f [Hz]	Data @ [V]	P _{ed} [kW]	I _N [A]	n _N [r/min]	t _R [°C]	k ₁₀ [m²/s/h]	Eff.-Rating	IP	m [kg]
1~200-277	50/60	230	1.08	4.8	1300	-25 .. +40	235	IE4	IP 54	35

Sound Data:

Frequency	Σ	63Hz	125Hz	250Hz	500Hz	1kHz	2kHz	4kHz	8kHz	Distances	1 m	4 m
LwA(A,in) [dB(A)]		-30	-12	-5	-6	-7	-10	-13	-18	LpA(A,in) [dB(A)]	-7	-17
LwA(A,out) [dB(A)]	7	-30	-10	-7	-7	-7	-8	-9	-20	LpA(A,out) [dB(A)]	0	-10

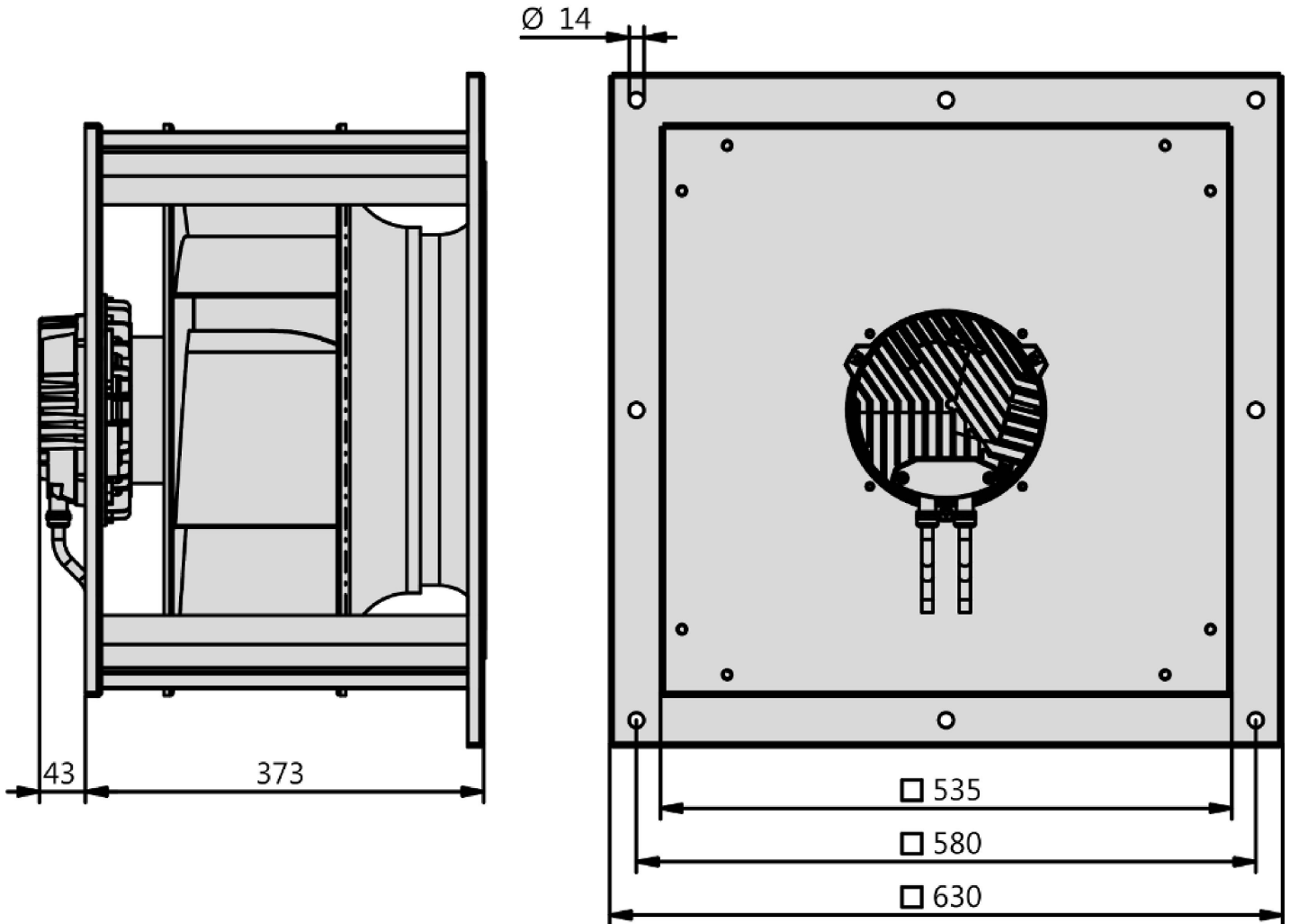
Attention: Start-up times up to ~ 20 - 60 sec. depending on motor-impeller combination, motor load and number of operation. Please note during project planning (e.g. for condenser units in refrigeration circuits)!



Type: **GKHM 500-CIE.154.5HF IE**

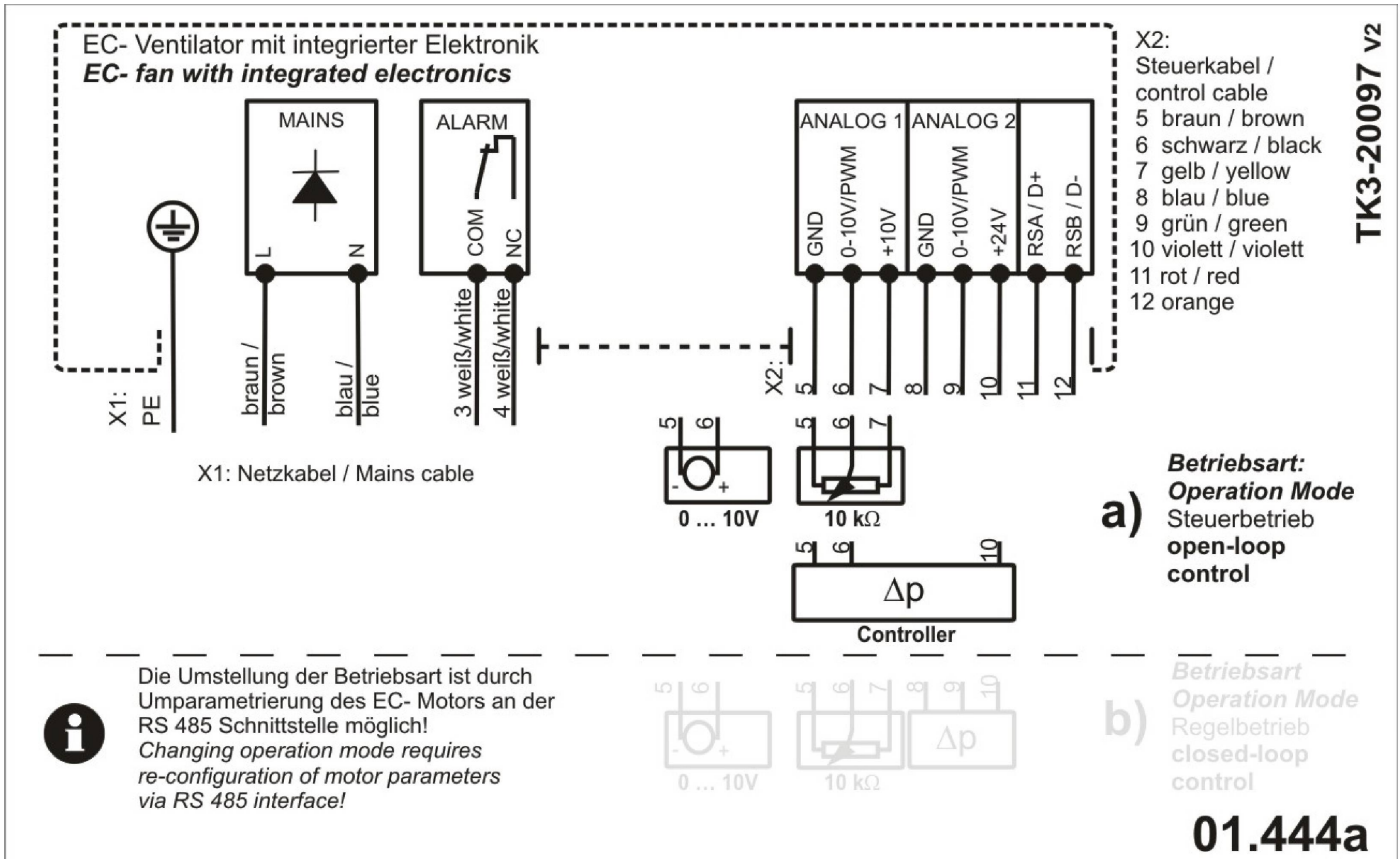
Module

Part no.: N43-50014





Type: **GKHM 500-CIE.154.5HF IE**
 Module
 Part no.: N43-50014

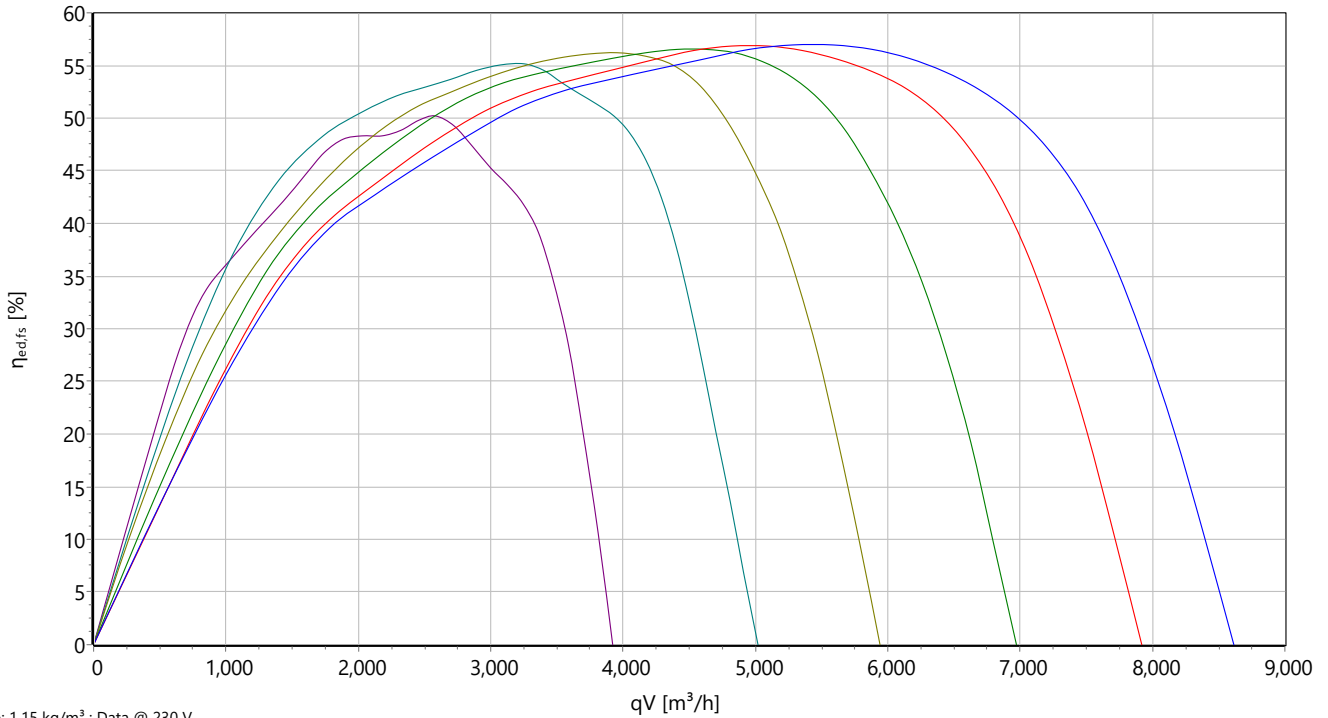




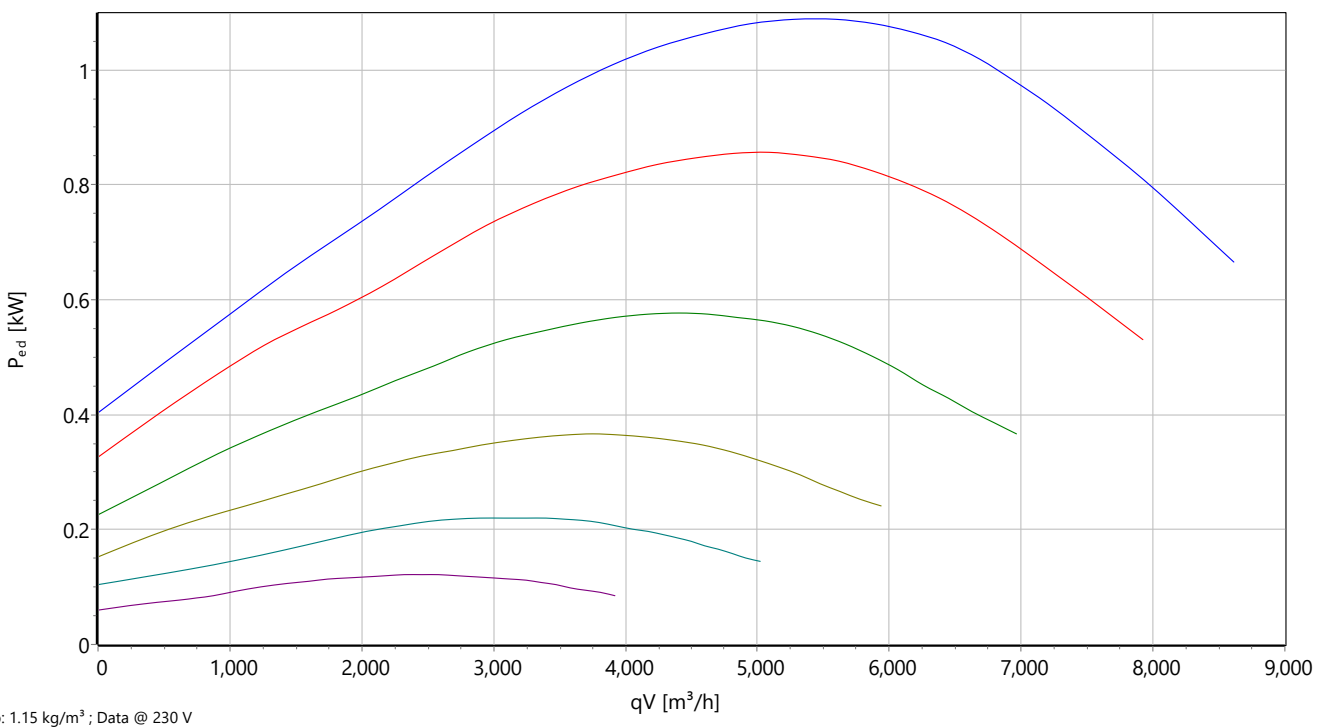
Type: **GKHM 500-CIE.154.5HF IE**
 Module
 Part no.: N43-50014



stat. Efficiency



Input power





Type: **GKHM 500-CIE.154.5HF IE**
 Module
 Part no.: N43-50014



Sound power

