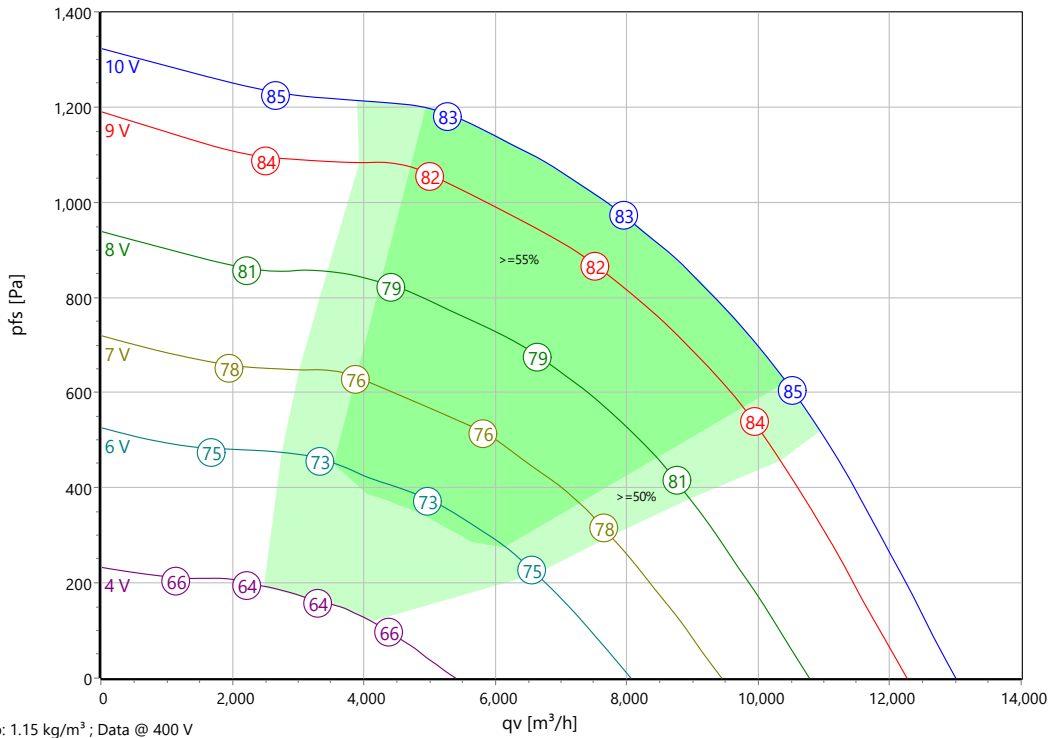




Type: **GKHM 500-CIE.154.6FF IE Gen3**
Module
Part no.: N43-50021



Curve:



p: 1.15 kg/m³ ; Data @ 400 V

ErP-Data:

(EU) Nr. 327/2011 (Lot11)		
q _v	8050	m³/h
p _{fs}	962	Pa
η _{fs}	63.3	%
P _{ed}	3.6	kW
n	1950	r/min
N	68	N
v	8.667	m/s

Nominal Data:

U [V]	f [Hz]	Data @ [V]	P _{ed} [kW]	I _N [A]	n _N [r/min]	t _R [°C]	k ₁₀ [m²/s/h]	Eff.-Rating	IP	m [kg]
3~380-480	50/60	400	3.6	5.5	1950	-25 .. +40	232	IE5	IP 54	38
		460		5						

Sound Data:

Frequency	Σ	63Hz	125Hz	250Hz	500Hz	1kHz	2kHz	4kHz	8kHz	Distances	1 m	4 m
LwA(A,in) [dB(A)]		-31	-18	-5	-5	-8	-9	-13	-17	LpA(A,in) [dB(A)]	-7	-17
LwA(A,out) [dB(A)]	7	-31	-19	-6	-5	-5	-11	-18	-22	LpA(A,out) [dB(A)]	0	-10

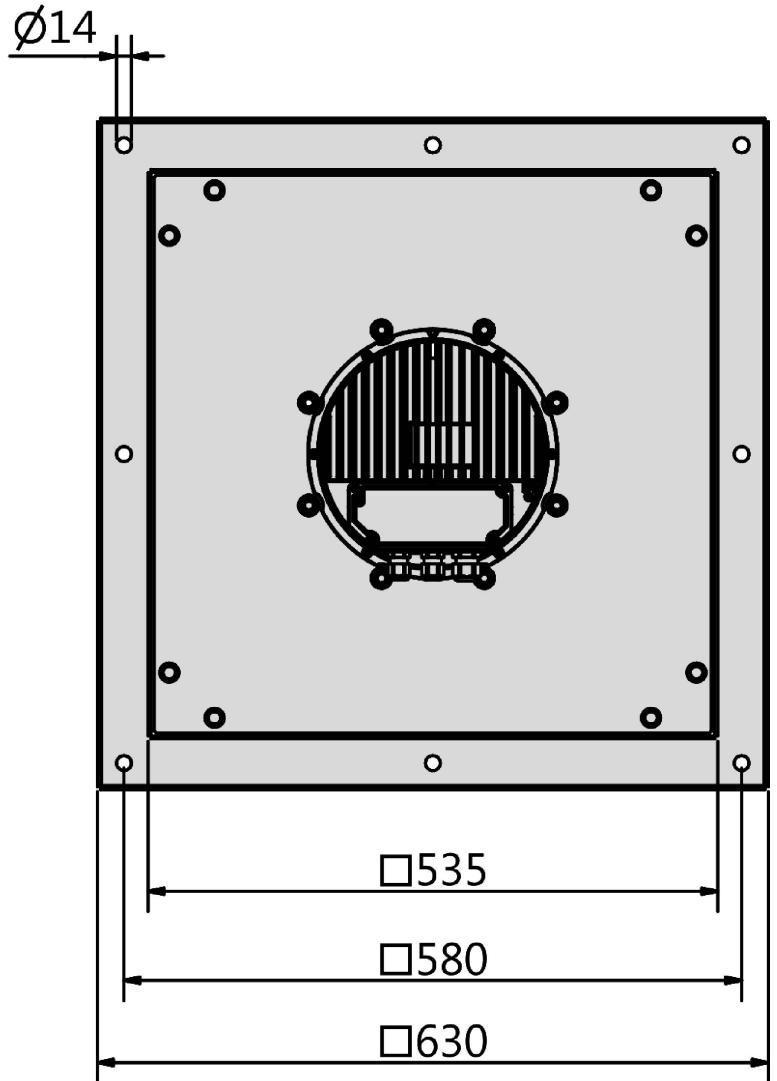
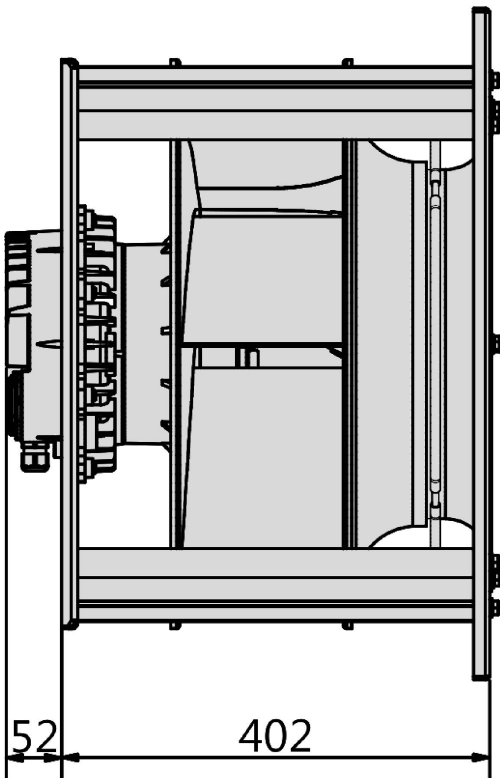
Attention: Start-up times up to ~ 20 - 60 sec. depending on motor-impeller combination, motor load and number of operation.
Please note during project planning (e.g. for condenser units in refrigeration circuits)!



Type: **GKHM 500-CIE.154.6FF IE Gen3**

Module

Part no.: N43-50021

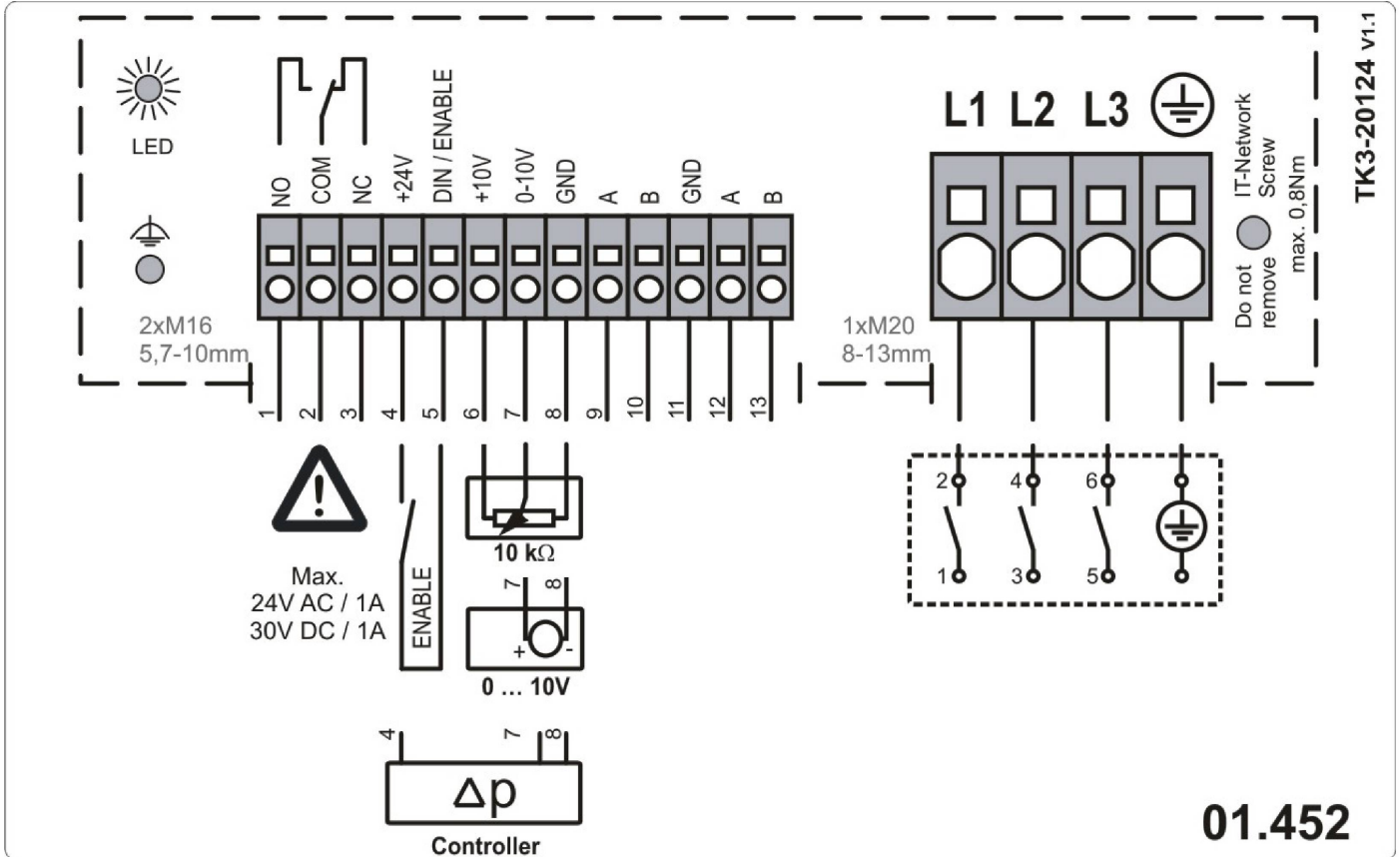




Type: **GKHM 500-CIE.154.6FF IE Gen3**

Module

Part no.: N43-50021

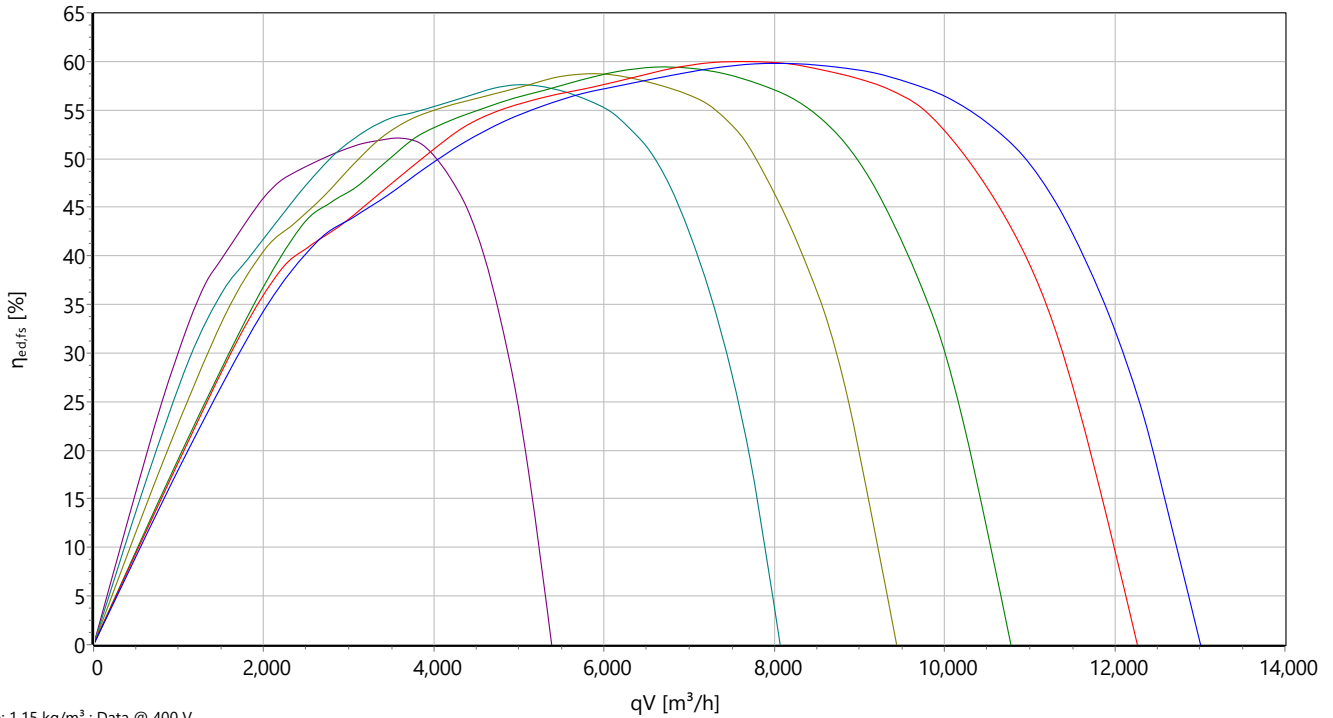




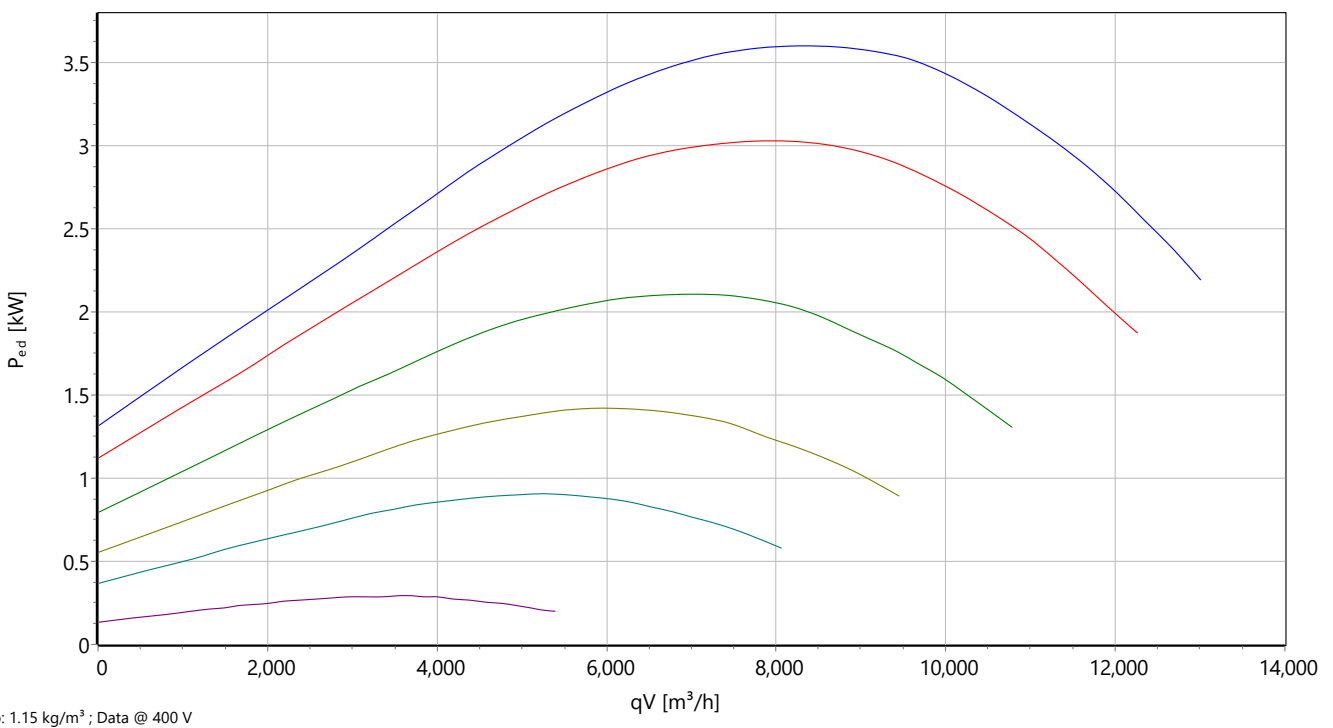
Type: **GKHM 500-CIE.154.6FF IE Gen3**
 Module
 Part no.: N43-50021



stat. Efficiency



Input power





Type: **GKHM 500-CIE.154.6FF IE Gen3**
 Module
 Part no.: N43-50021



Sound power

