



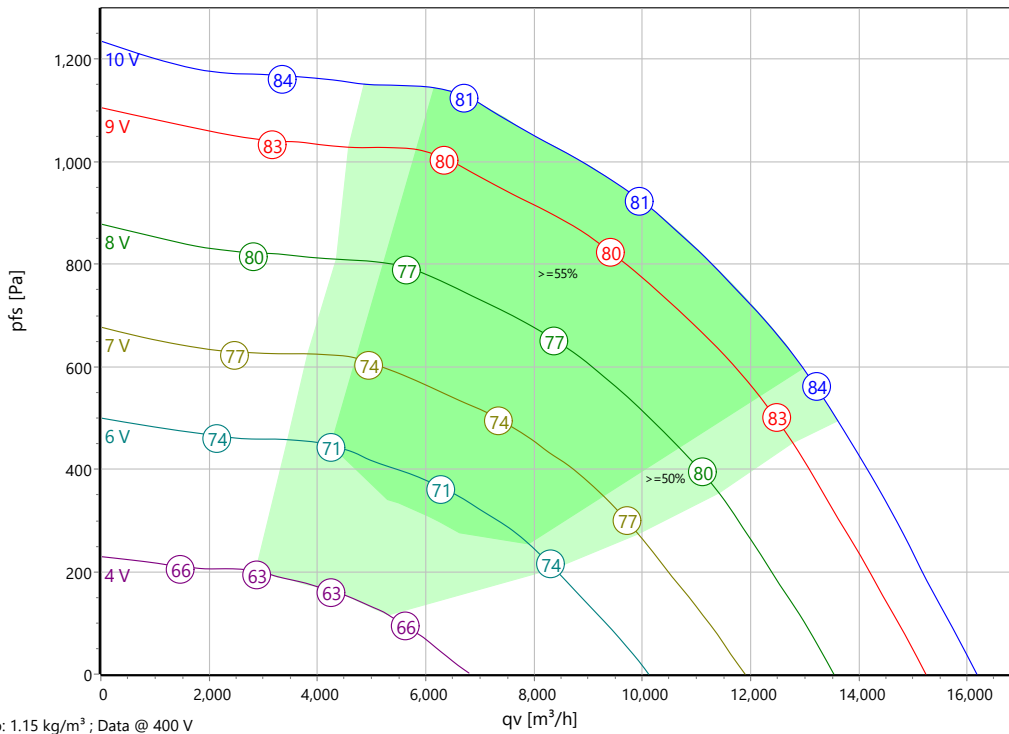
Type: **GKHM 560-CIE.175.6IF IE Gen3**

Module

Part no.: N43-56010



Curve:



ErP-Data:

(EU) Nr. 327/2011 (Lot11)		
Q _v	9986	m³/h
P _{fs}	935	Pa
η _{fs}	63.8	%
P _{ed}	4.27	kW
n	1700	r/min
N	68	N
v	8.483	m/s

Nominal Data:

U [V]	f [Hz]	Data @ [V]	P _{ed} [kW]	I _N [A]	n _N [r/min]	t _R [°C]	k ₁₀ [m²/s/h]	Eff.-Rating	IP	m [kg]
3~380-480	50/60	400	4.28	6.55	1700	-25 .. +40	266	IE5	IP 54	53
		460		5.75						

Sound Data:

Frequency	Σ	63Hz	125Hz	250Hz	500Hz	1kHz	2kHz	4kHz	8kHz	Distances	1 m	4 m
LwA(A,in) [dB(A)]		-30	-12	-5	-6	-7	-10	-13	-18	LpA(A,in) [dB(A)]	-7	-17
LwA(A,out) [dB(A)]	7	-30	-13	-6	-5	-5	-13	-18	-24	LpA(A,out) [dB(A)]	0	-10

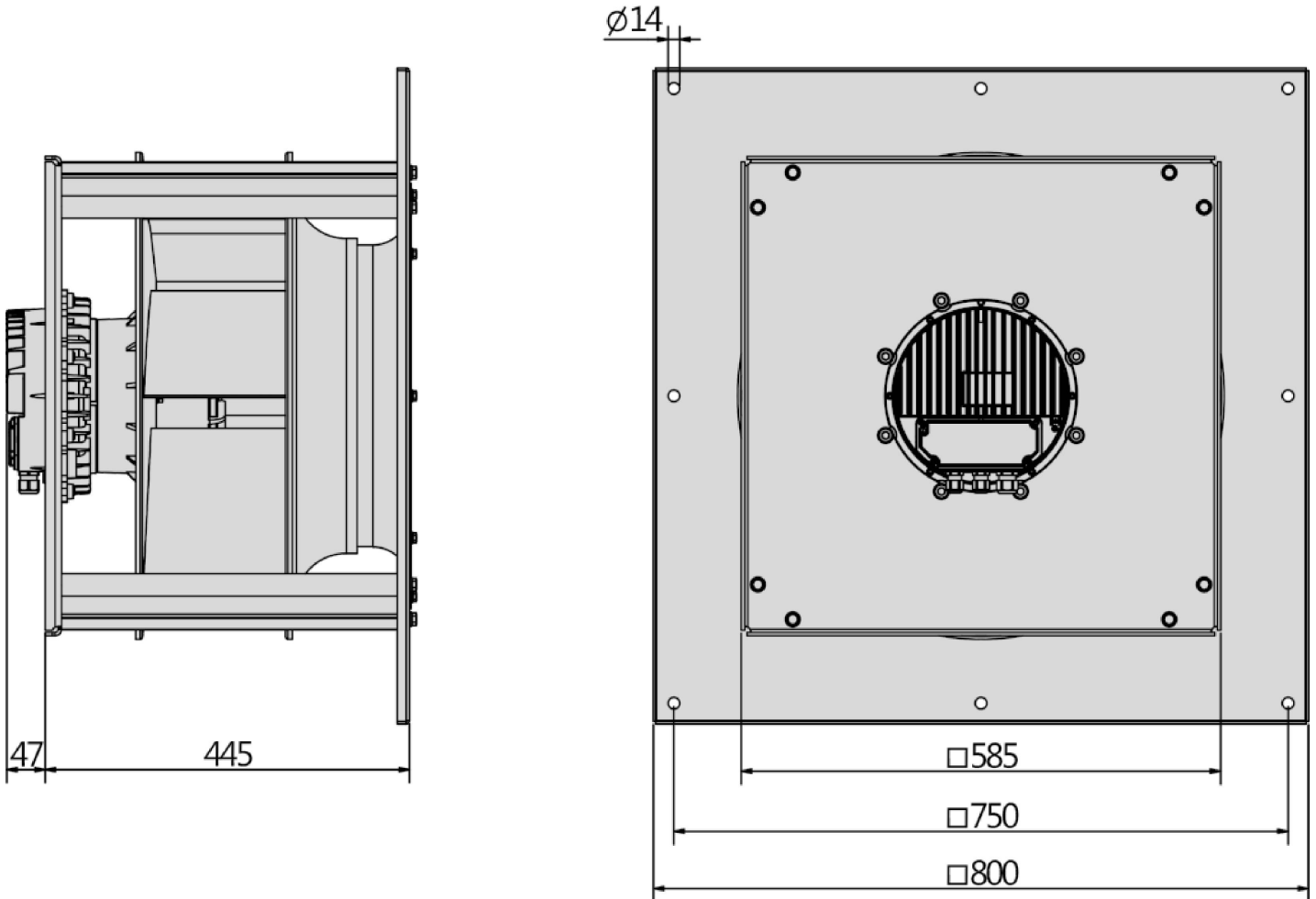
Attention: Start-up times up to ~ 20 - 60 sec. depending on motor-impeller combination, motor load and number of operation.
Please note during project planning (e.g. for condenser units in refrigeration circuits)!



Type: **GKHM 560-CIE.175.6IF IE Gen3**

Module

Part no.: N43-56010

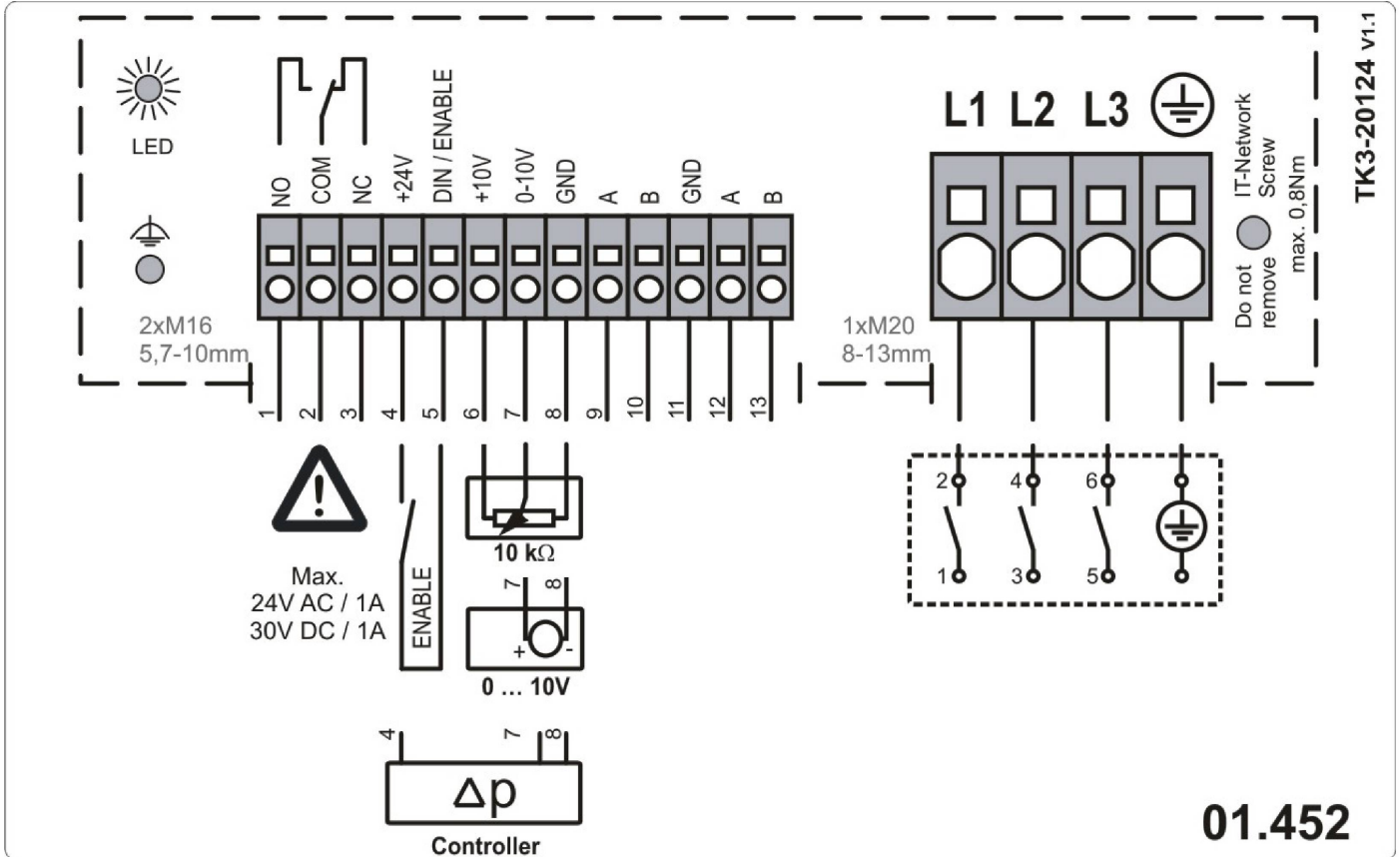




Type: **GKHM 560-CIE.175.6IF IE Gen3**

Module

Part no.: N43-56010





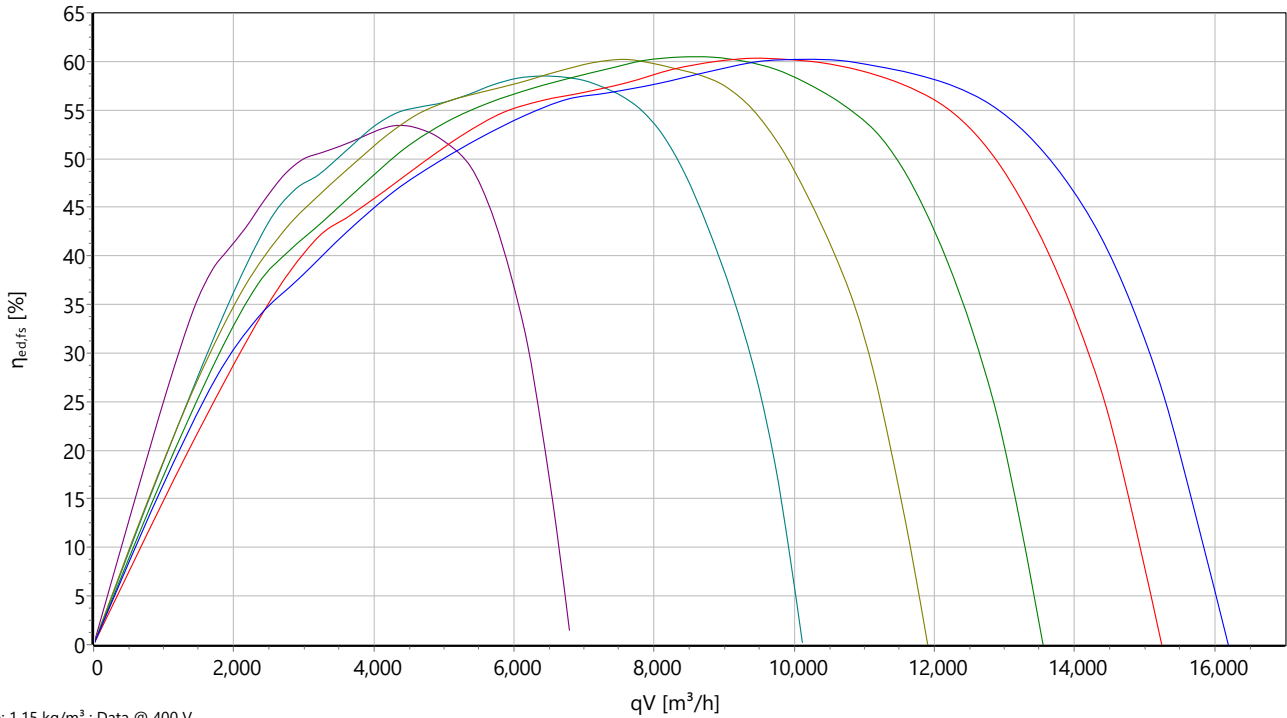
Type: **GKHM 560-CIE.175.6IF IE Gen3**

Module

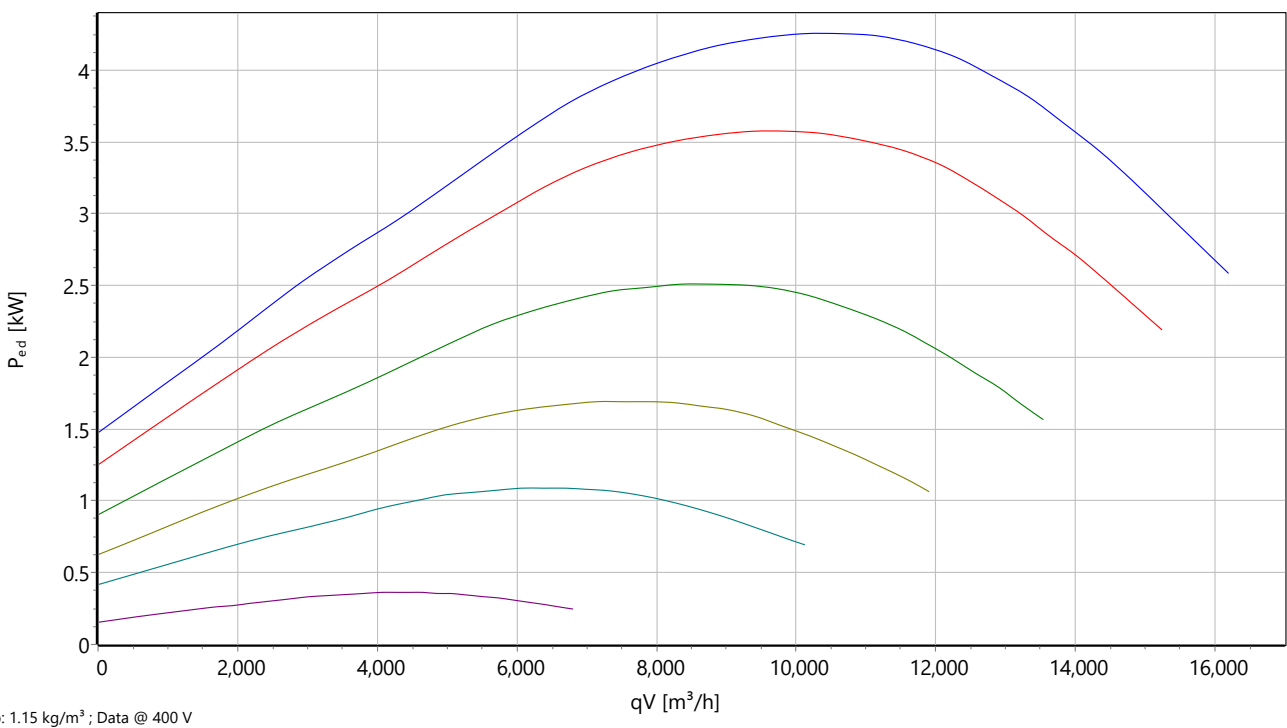
Part no.: N43-56010



stat. Efficiency



Input power





Type: **GKHM 560-CIE.175.6IF IE Gen3**
 Module
 Part no.: N43-56010



Sound power

