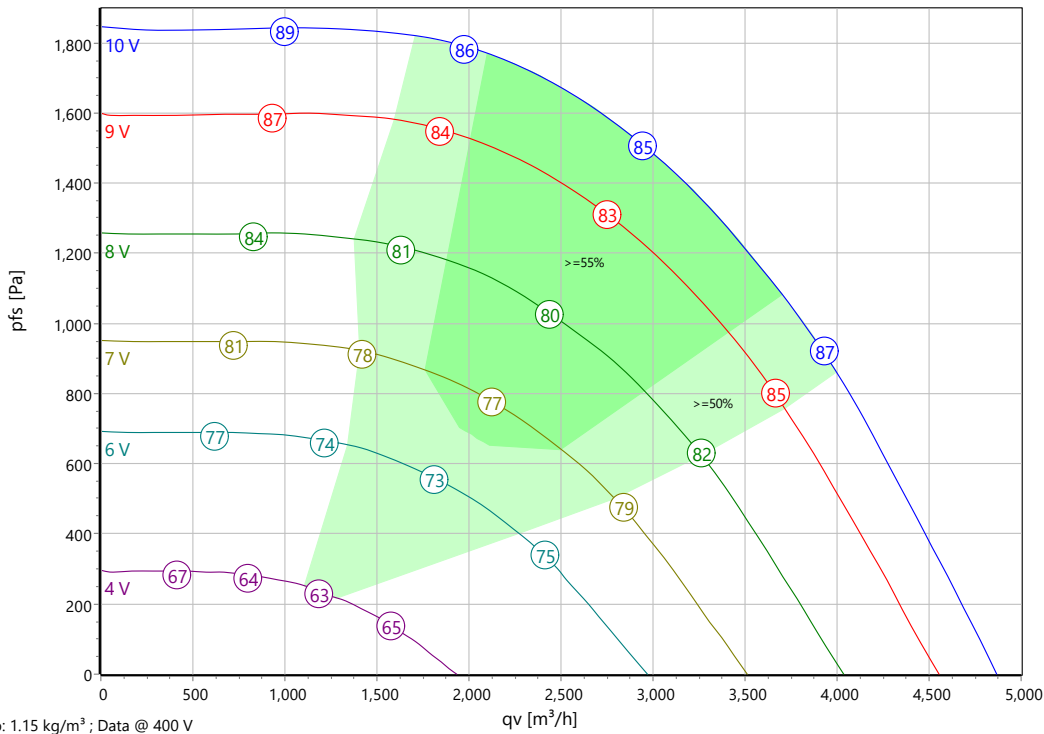




Type: **GKHM 280-CIB.090.5FA IE Gen3**
Module
Part no.: N88-28332



Curve:



p: 1.15 kg/m³ ; Data @ 400 V

ErP-Data:

(EU) Nr. 327/2011 (Lot11)		
Q _v	2828	m³/h
P _{fs}	1559	Pa
η _{fs}	63.4	%
P _{ed}	2.09	kW
n	4000	r/min
N	71	N
v	8.738	m/s

Nominal Data:

U [V]	f [Hz]	Data @ [V]	P _{ed} [kW]	I _N [A]	n _N [r/min]	t _R [°C]	k ₁₀ [m²/s/h]	Eff.-Rating	IP	m [kg]
3~380-480	50/60	400	2.11	3.33	4000	-25 .. +50	61	IE5	IP 54	15.5
		460		3						

Sound Data:

Frequency	Σ	63Hz	125Hz	250Hz	500Hz	1kHz	2kHz	4kHz	8kHz	Distances	1 m	4 m
LwA(A,in) [dB(A)]		-36	-27	-9	-4	-6	-9	-11	-17	LpA(A,in) [dB(A)]	-7	-17
LwA(A,out) [dB(A)]	7	-35	-26	-10	-5	-5	-7	-13	-19	LpA(A,out) [dB(A)]	0	-10

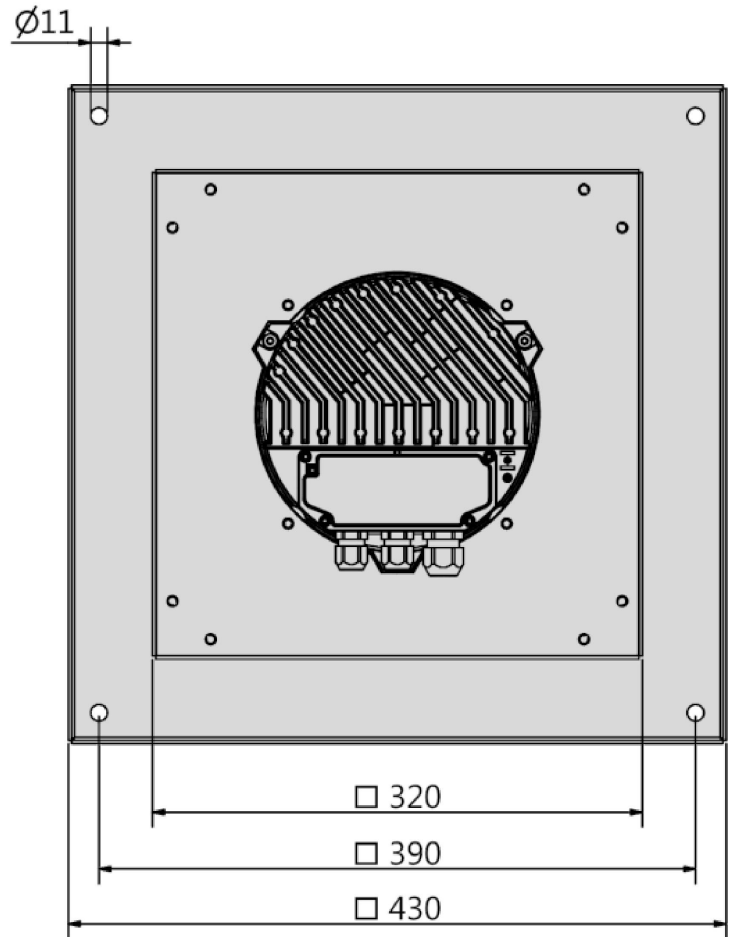
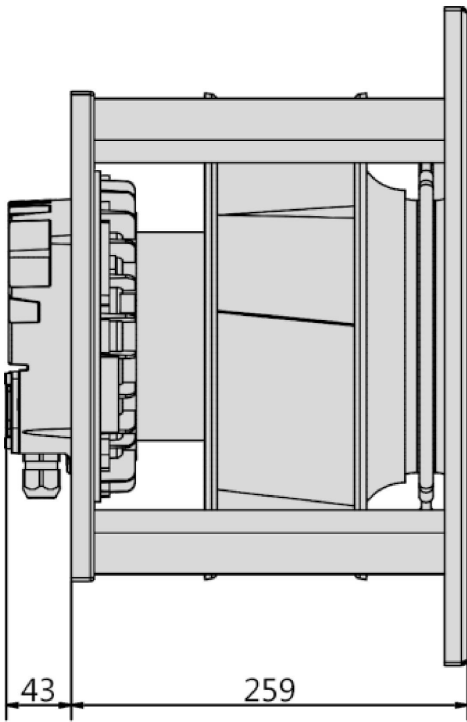
Attention: Start-up times up to ~ 20 - 60 sec. depending on motor-impeller combination, motor load and number of operation.
Please note during project planning (e.g. for condenser units in refrigeration circuits)!



Type: **GKHM 280-CIB.090.5FA IE Gen3**

Module

Part no.: N88-28332

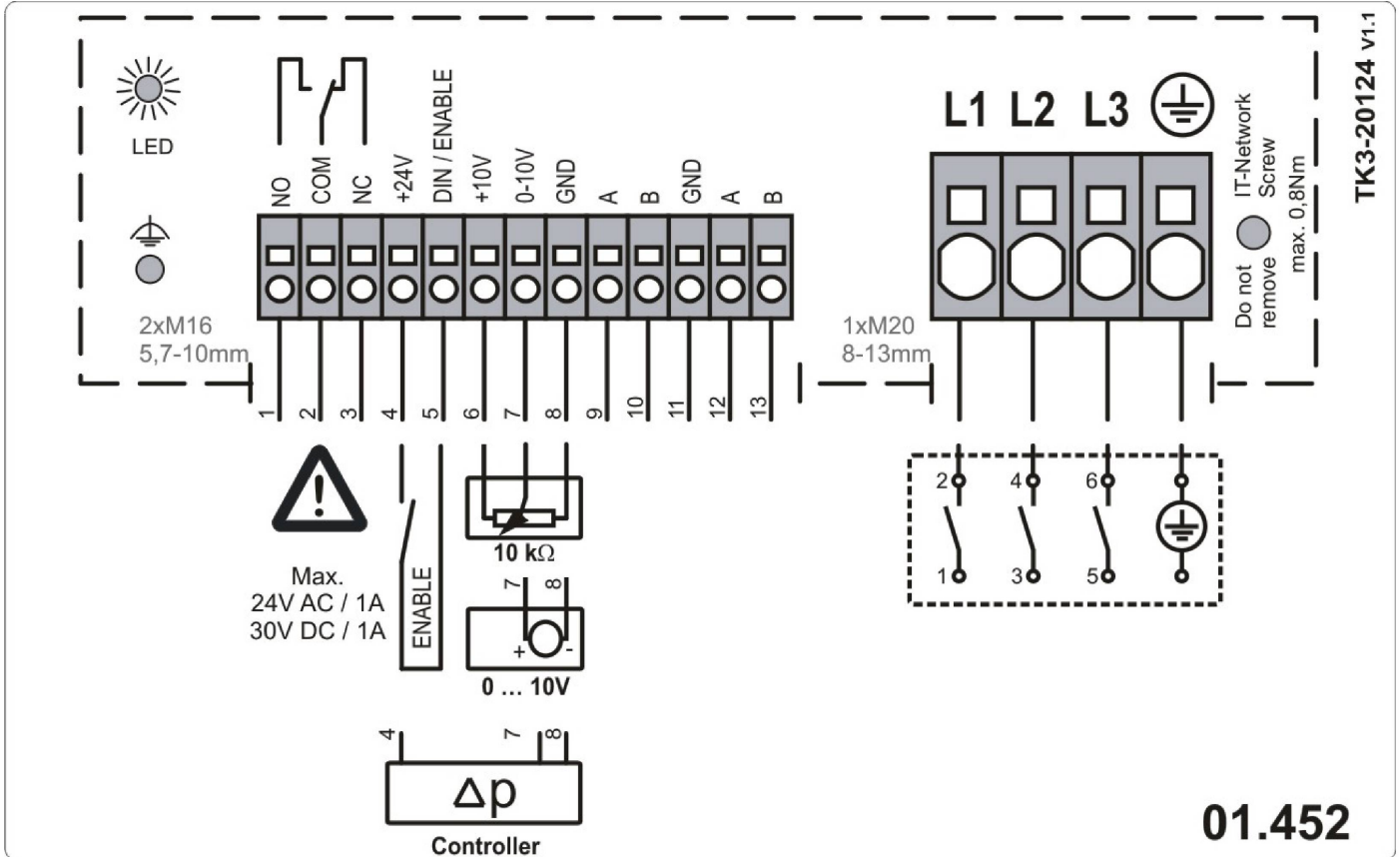




Type: **GKHM 280-CIB.090.5FA IE Gen3**

Module

Part no.: N88-28332

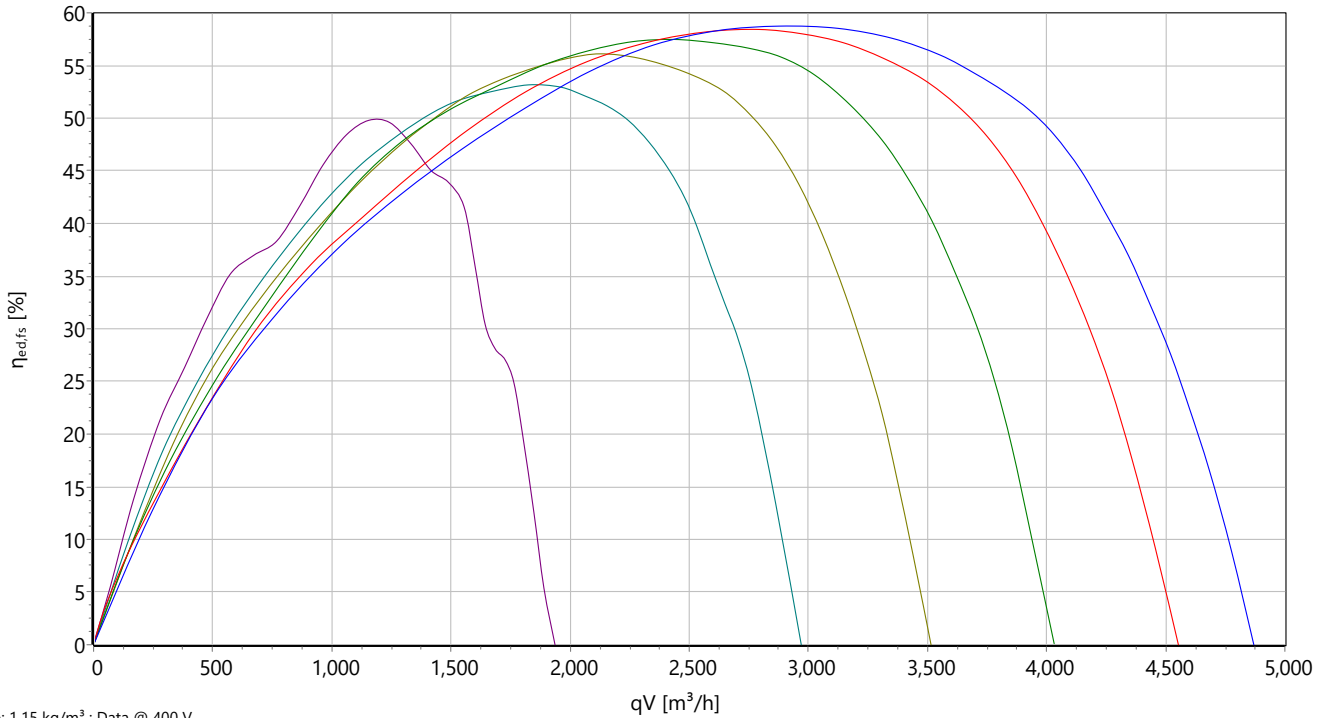




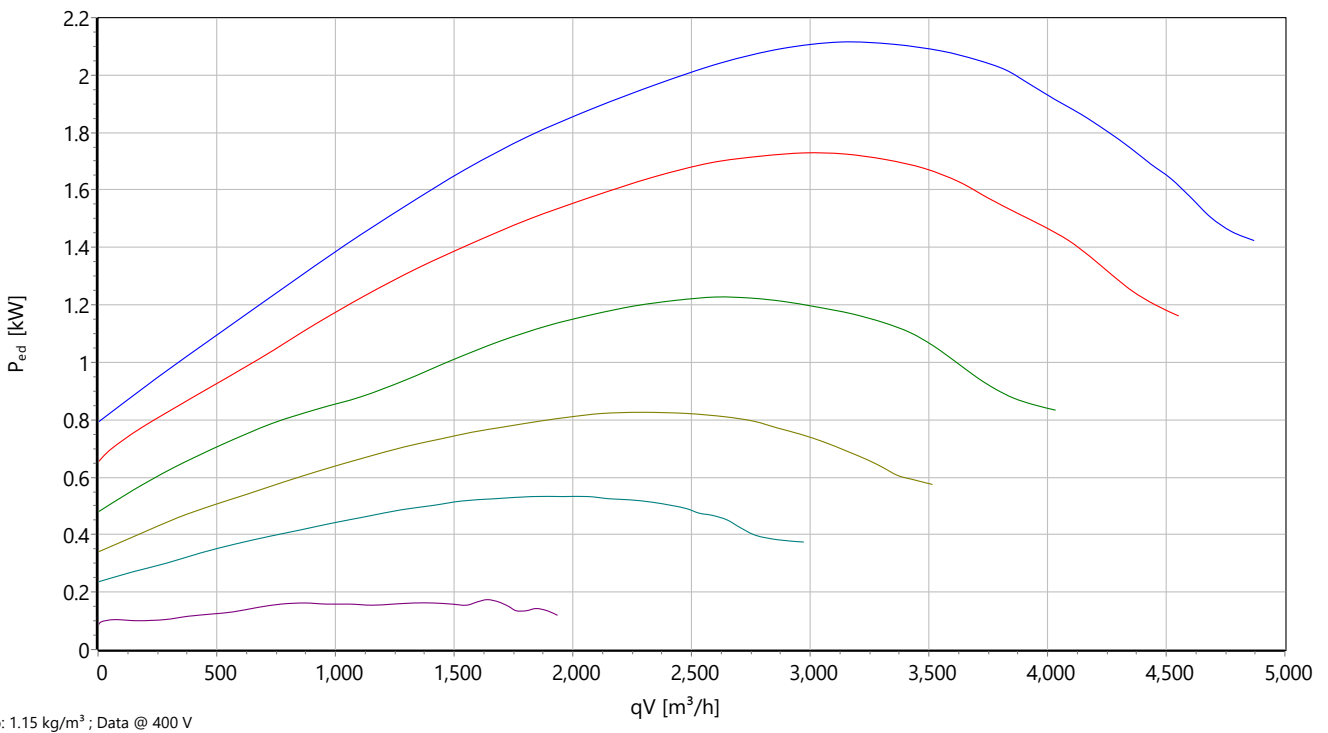
Type: **GKHM 280-CIB.090.5FA IE Gen3**
 Module
 Part no.: N88-28332



stat. Efficiency



Input power





Type: **GKHM 280-CIB.090.5FA IE Gen3**
 Module
 Part no.: N88-28332



Sound power

