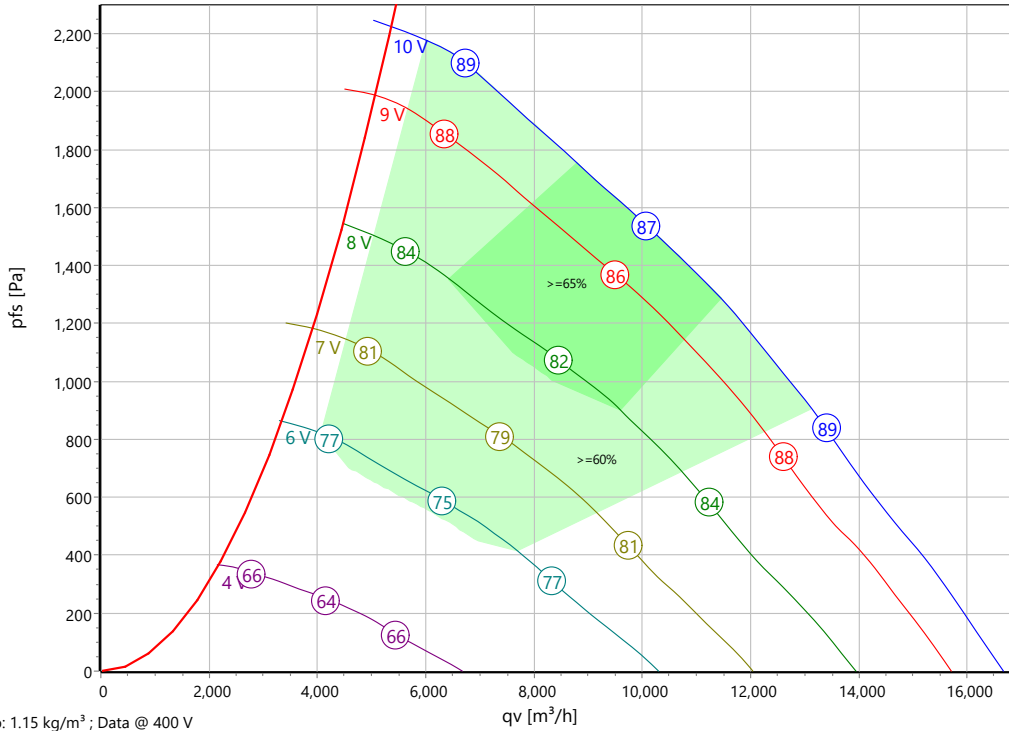




Type: **GKHM 450-CII.147.6IF IE Gen3+**  
Module  
Part no.: N88-45702



**Curve:**



$p: 1.15 \text{ kg/m}^3$ ; Data @ 400 V

**ErP-Data:**

(EU) Nr. 327/2011 (Lot11)		
$q_v$	10177	m³/h
$p_{fs}$	1521	Pa
$\eta_{fs}$	68.3	%
$P_{ed}$	6.61	kW
$n$	2800	r/min
$N$	70	N
$v$	11.539	m/s

**Nominal Data:**

U [V]	f [Hz]	Data @ [V]	$P_{ed}$ [kW]	$I_N$ [A]	$n_N$ [r/min]	$t_R$ [°C]	$k_{10}$ [m²/s/h]	Eff.-Rating	IP	m [kg]
3~380-480	50/60	400	6.7	10.3	2800	-25 .. +40	191	IE4	IP 54	43
		460		9						

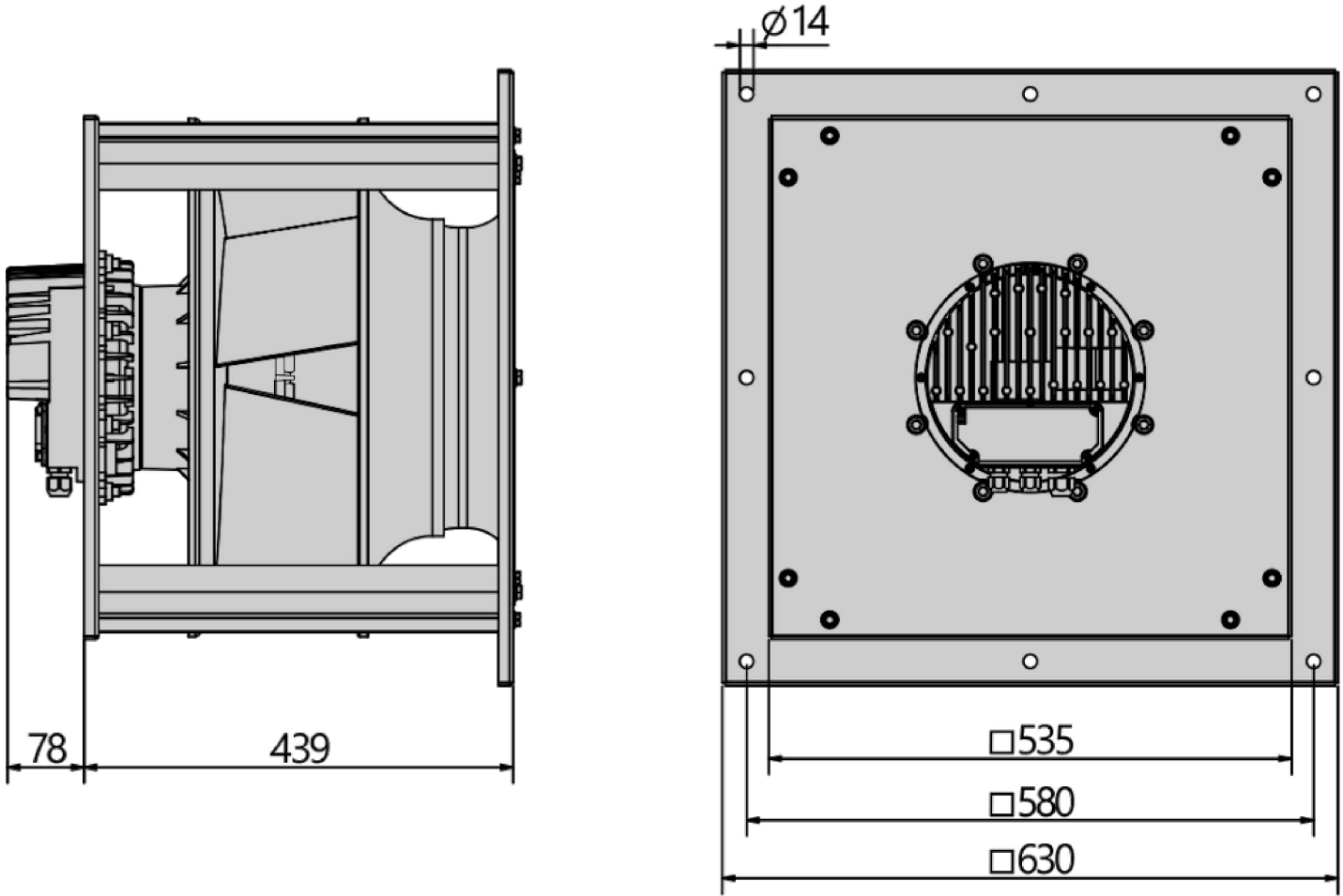
**Sound Data:**

Frequency	$\Sigma$	63Hz	125Hz	250Hz	500Hz	1kHz	2kHz	4kHz	8kHz	Distances	1 m	4 m
LwA(A,in) [dB(A)]		-39	-29	-7	-7	-7	-8	-8	-11	LpA(A,in) [dB(A)]	-7	-17
LwA(A,out) [dB(A)]	6	-33	-29	-6	-6	-6	-9	-10	-16	LpA(A,out) [dB(A)]	-1	-11

Attention: Start-up times up to ~ 20 - 60 sec. depending on motor-impeller combination, motor load and number of operation.  
Please note during project planning (e.g. for condenser units in refrigeration circuits)!



Type: **GKHM 450-CII.147.6IF IE Gen3+**  
 Module  
 Part no.: N88-45702

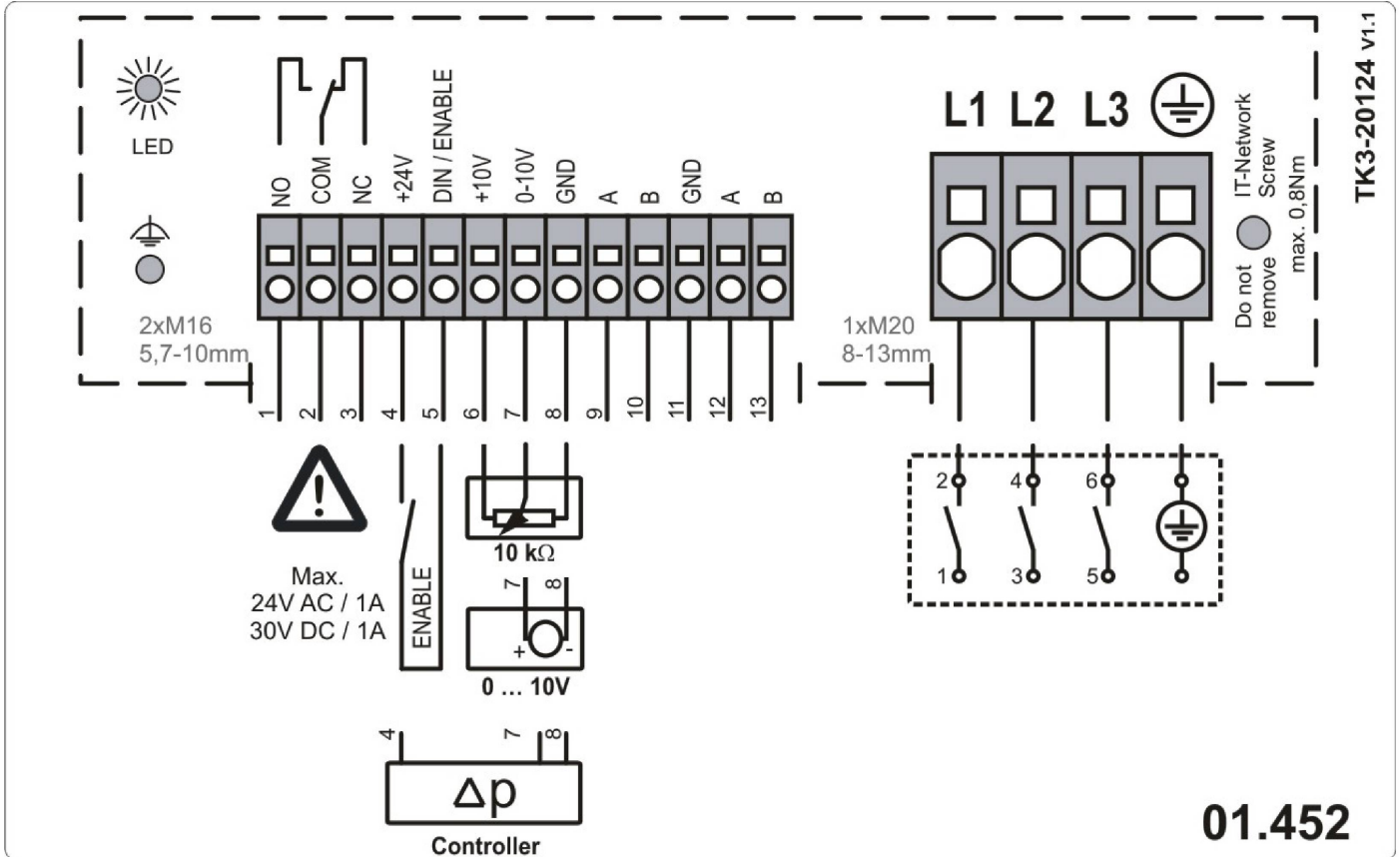




Type: **GKHM 450-CII.147.6IF IE Gen3+**

Module

Part no.: N88-45702

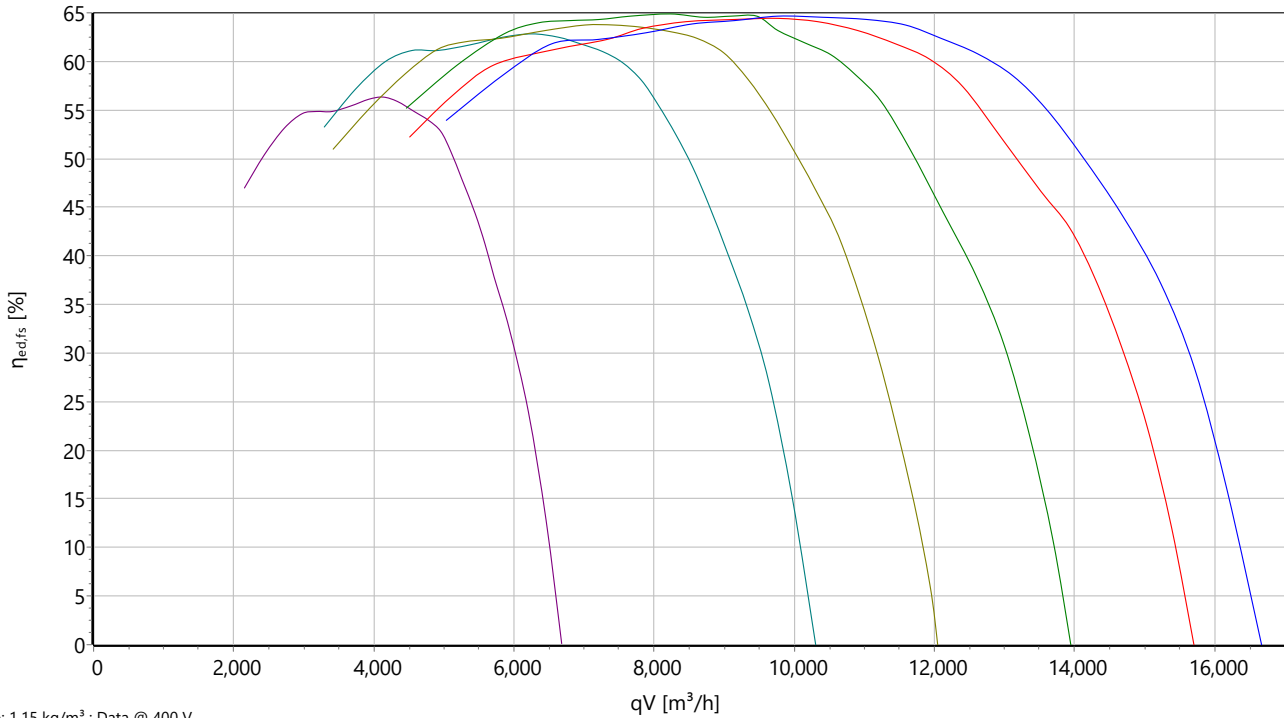




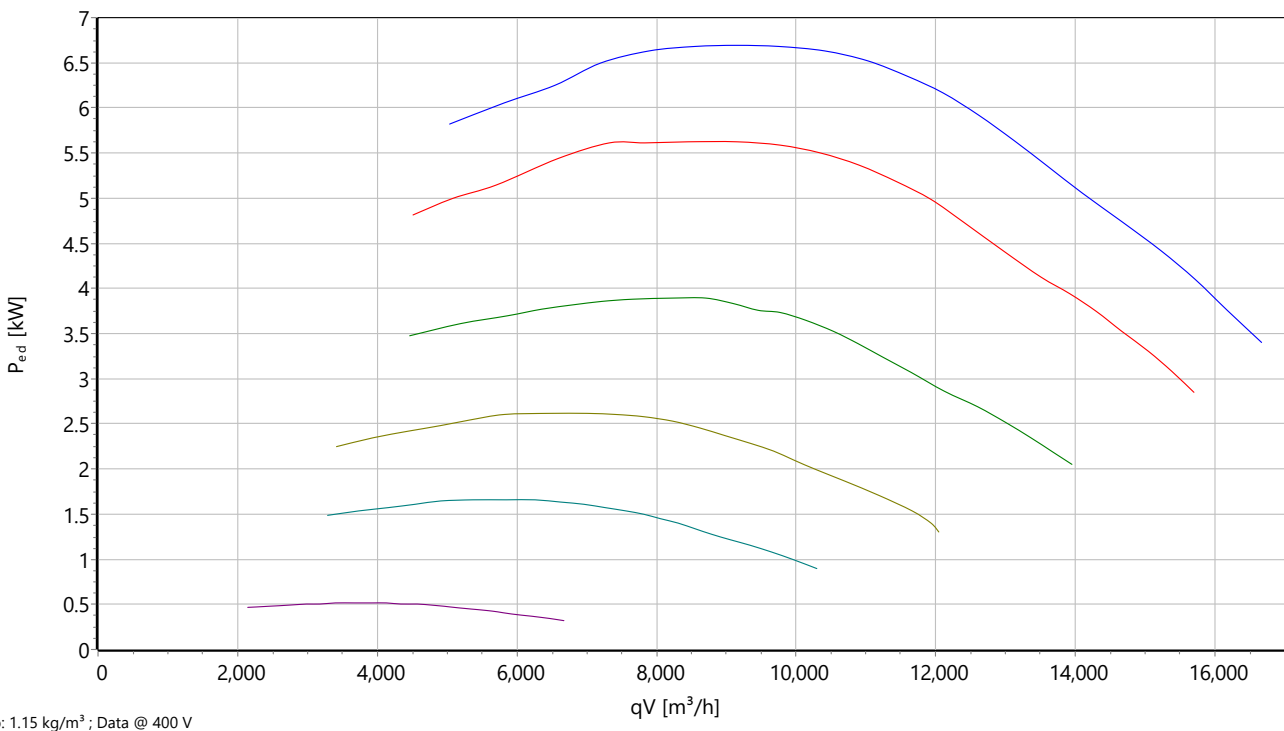
Type: **GKHM 450-CII.147.6IF IE Gen3+**  
 Module  
 Part no.: N88-45702



**stat. Efficiency**



**Input power**





Type: **GKHM 450-CII.147.6IF IE Gen3+**  
 Module  
 Part no.: N88-45702



Sound power

