

Ex II 3 G, Ex nA h II AT4 Gc
T_{amb} -30°C to +60°C
US/UL/ExTR15.0133/00
WARNING - DO NOT OPEN WHEN ENERGISED

Atex Label

Connection Diagram

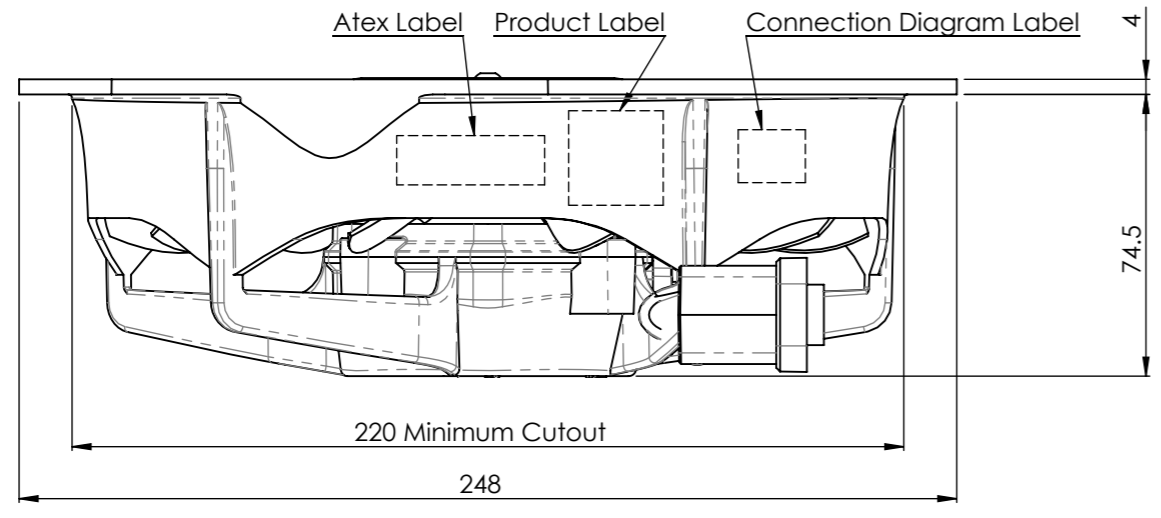
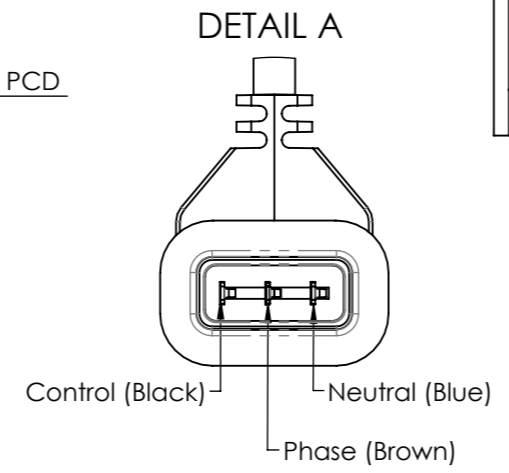
Speed Control 1350 rpm DOR : CCW-DE BROWN — PHASE BLUE — NEUTRAL BLACK — NEUTRAL or N/C	Speed Control 900 rpm DOR : CCW-DE BROWN — PHASE BLUE — NEUTRAL BLACK — PHASE
---	---

Connection Diagram Label

Wellington
ECF2-8AXD21
 INPUT : 100-240Vac, 50-60Hz, 0.19-0.10A
 OUTPUT : 13W@1800rpm
 EP -30° to +50°C, DOR : CCW-DE
 Dual Speed 1350 / 900rpm

VDE IP67 **CE**
 REG-Nr: E804
 -30° to +60°C

Product Label



MOTOR RATING

PRODUCT CODE	Max Output Watts @ Corresponding rpm	Supply voltage, Frequency	DOR, Mode of Operation
ECF2-8AXD21	13 Watts @ 1800 rpm	100-240Vac, 50-60Hz	CCW Continuous, Dual Speed i) Speed Control 1350 rpm ii) Speed Control 900 rpm

NOTES:
 1. Refer operation instructions for installation details.

n/a	1	NA	Initial release	07/03/2018	BPI	ASo
ZONE	ISSUE	ECN	BRIEF NOTE	DATE	DRAWN	CHKD

DO NOT SCALE OFF DRAWING

Wellington
 www.wdfl.com

The information contained in this drawing is confidential. Reproduction of this document in any form is subject to explicit written permission.
 © COPYRIGHT 2004 - 2009 Wellington Drive Technologies Ltd

Description: **Fan Pack Assembly**

Product Code: Refer to table above

Orthographic Projection

LIFECYCLE STATE: **Production Released**

Scale: NTS Dimension Units: mm Sheet size: A3

GENERAL TOLERANCE: LINEAR ±1mm ANGULAR ±3°

DWG No.: ECF2-8AXD21 Sheet: 1 of 1