

Ex II 3 G, Ex ec h IIA T4 Gc
T_{amb} -30°C to +60°C
US/UL/ExTR15.0133/01
WARNING - DO NOT OPEN WHEN ENERGISED

Atex Label

Connection Diagram

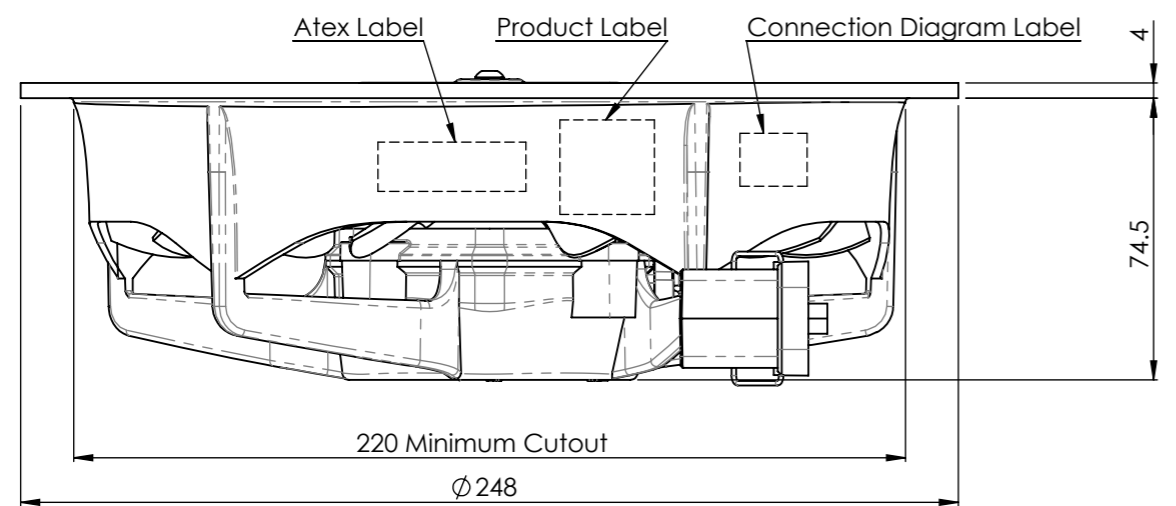
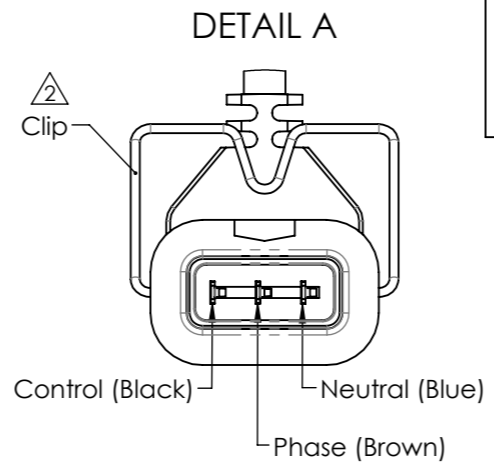
Speed Control 1800 rpm DOR : CCW-DE BROWN — PHASE BLUE — NEUTRAL BLACK — NEUTRAL or N/C	Speed Control 1800 rpm DOR : CCW-DE BROWN — PHASE BLUE — NEUTRAL BLACK — PHASE
---	--

Connection Diagram Label

Wellington
ECF2-8AXG21
 INPUT : 100-240Vac, 50-60Hz, 0.19-0.10A
 OUTPUT : 13W@1800rpm
 EP -30° to +50°C, DOR : CCW-DE
 Dual Speed 1800/1800rpm

VDE IP67 **CE**
 REG - Nr: E804
 -30° to +60°C

Product Label



MOTOR RATING

PRODUCT CODE	Max Output Watts @ Corresponding rpm	Supply voltage, Frequency	DOR, Mode of Operation
ECF2-8AXG21	13 Watts @ 1800 rpm	100-240Vac, 50-60Hz	CCW Continuous, Speed Control 1800/1800 rpm

NOTES:
 1. Refer operation instructions for installation details.

B-2	3	WCP4087	Conical washer added	28/09/2021	BPi	ASo
C,D-3,5	2	WCP3355	Clip fitted on the power cable	02/04/2019	BPi	ASo
n/a	1	n/a	Initial release	28/03/2019	BPi	ASo
ZONE	ISSUE	ECN	BRIEF NOTE	DATE	DRAWN	CHKD

DO NOT SCALE OFF DRAWING

Wellington
 www.wdfl.com
 The information contained in this drawing is confidential. Reproduction of this document in any form is subject to explicit written permission. © COPYRIGHT 2004 - 2009 Wellington Drive Technologies Ltd

Description: **Fan Pack Assembly**

Product Code: Refer to table above

Orthographic Projection

Third Angle

LIFECYCLE STATE
Production Released

Scale: NTS
 Dimension Units: mm
 Sheet size: A3

GENERAL TOLERANCE
 LINEAR: ±1mm
 ANGULAR: ±3°

DWG No.: ECF2-8AXG21
 Sheet 1 of 1