

D04D05HWBZ00

DC axial fans

> CONTACT US



Axial fans provide forced-air cooling solution to temperature-sensitive applications. Compact fans with AC shaded pole or capacitor and DC brushless motor are designed for ventilation and spot cooling of internal machinery components, especially in areas in confined spaces. Available also versions tested to withstand harsh environmental conditions (IP55, IP68, all metal and HTR fans).

Technical data		
APPROVALS		
Approvals	CE; cURus	
PERFORMANCE		
Max Airflow	15	m <sup>3</sup> /h
	9	CFM
Max Static Pressure	70	Pa
	0.28	in H2O
RPM	7800	RPM
ELECTRICAL DATA		
Rated Voltage	24	V d.c.
Rated Current	0.09	A
Rated Power	2.16	W
Operating Voltage	21.6-26.4	V d.c.
Starting Voltage	17	V d.c.
Insulation Class	A	
Motor Protection	Electronically Protected	
MECHANICAL DATA		
Bearing	Ball Bearing	
GENERIC DATA		
Casing Material	Plastic UL94-V0	
Airflow Direction	Air exhaust over brackets	
Electrical Connection	Wires	

Image is for illustrative purpose only. All specifications, data and drawing are subject to change without notice. Please refer to our terms of sales including our warranty and limited liabilities clauses.

D04D05HWBZ00

DC axial fans

> CONTACT US

VENTILATION SYSTEMS

Technical data		
Life Expectancy	70000	h at 40 °C
	70000	h at 104 °F
Fan Noise	36	dB(A)
Cable Length	295	mm
	11.61	in
Fixing System	Screws	
ENVIRONMENTAL AND THERMAL DATA		
IP Protection Degree	IP20	
Operating Temperature	-10÷70	°C
	14÷158	°F
Storage Temperature	-40÷70	°C
	-40÷158	°F
UL DATA		
UL File Number Recognized Component	E223195	

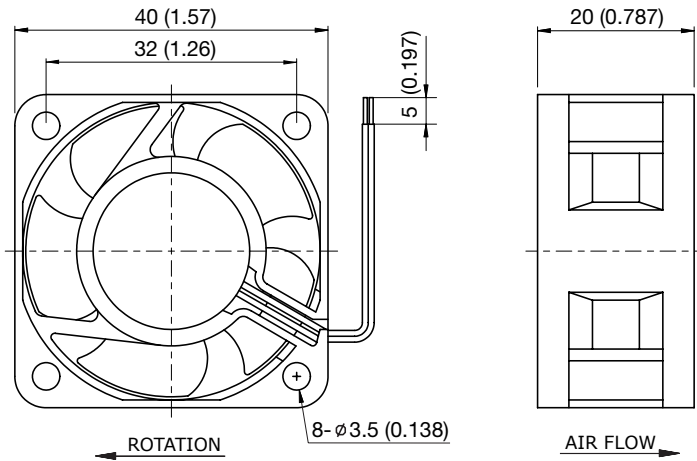
Image is for illustrative purpose only. All specifications, data and drawing are subject to change without notice. Please refer to our terms of sales including our warranty and limited liabilities clauses.

D04D05HWBZ00

DC axial fans

> CONTACT US

Technical drawing mm (in)



Air Performance

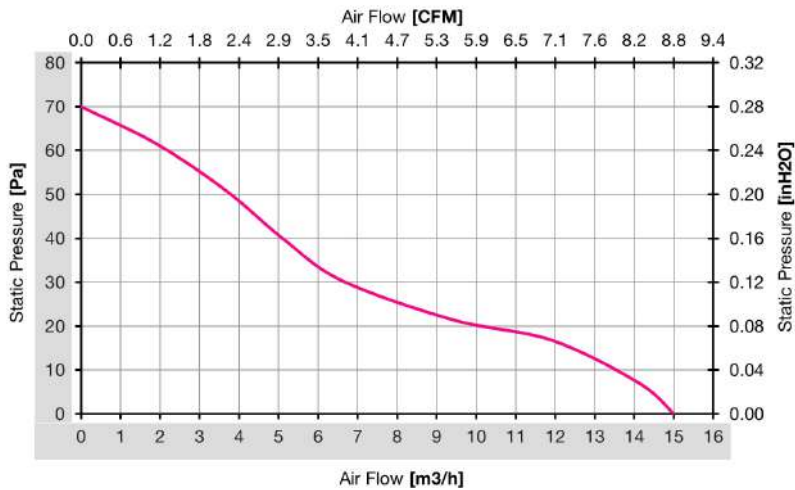


Image is for illustrative purpose only. All specifications, data and drawing are subject to change without notice. Please refer to our terms of sales including our warranty and limited liabilities clauses.